

0CNP5-M80100EN

Contents

Fig. No. Fig. Name

ENGINE RELATED SECTION

1. ENGIN MOUNT
2. ENGIN RELATED

CHASSIS.CRAWLER SECTION

3. CHASSIS

SNOW REMOVING SECTION

4. SNOW REMOVING FRAME
5. CHUTE
6. SLIDE CHUTE
7. GEAR CASE
8. BLOWER
9. AUGER

BODY SECTION

10. COVER
11. HYDRAULIC PIPING
12. POWER TRANSMISSION(1)
13. POWER TRANSMISSION(2)
14. PANEL & HANDLE
15. CONTROL LEVER(1)
16. CONTROL LEVER(2)

Fig. No. Fig. Name

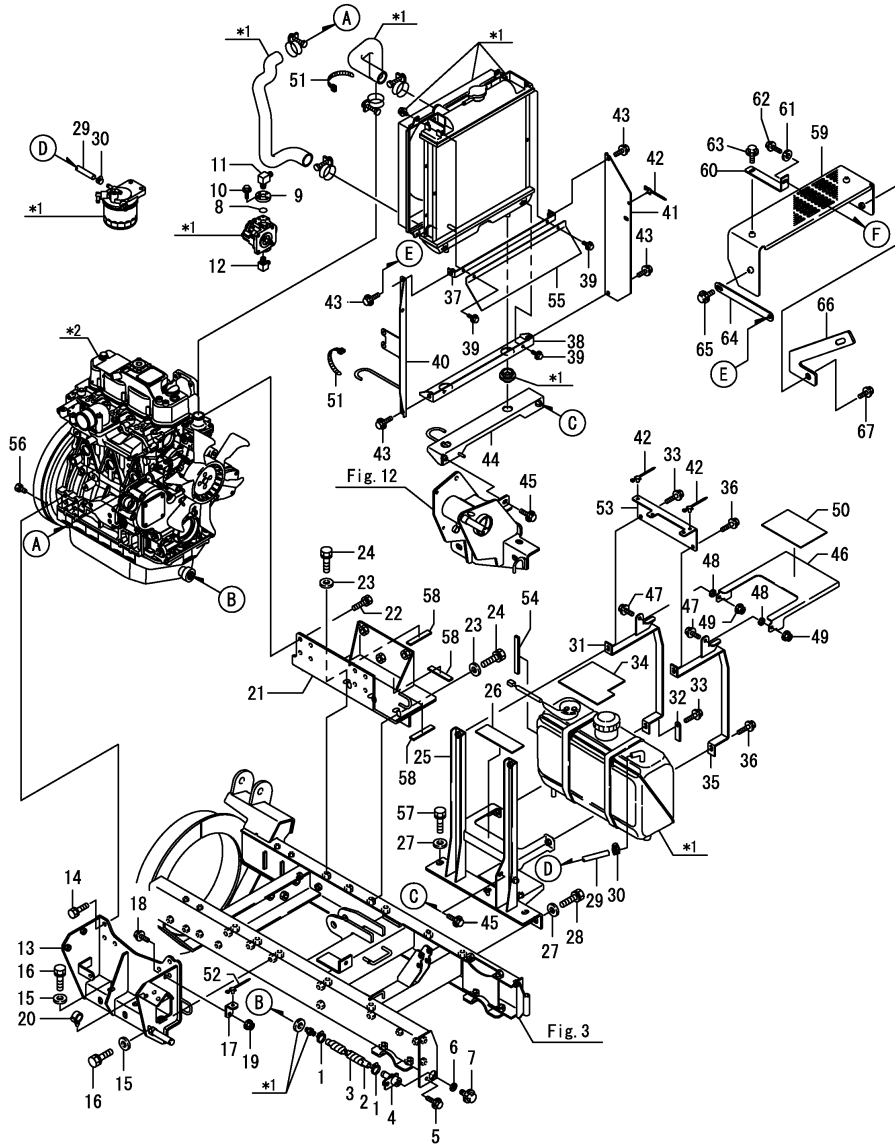
ELECTRICAL PARTS SECTION

17. ELECTRICAL PARTS(1)
18. ELECTRICAL PARTS(2)
19. ELECTRICAL PARTS

LABELS & ACCESSORIES

20. LABELS & ACCESSORIES
21. LABELS (PL)

Fig.1. ENGINE MOUNT



(A)=YSR3340A ,PQ

(B)=

(C)=

(D)=

(E)=

(F)=

No.	Lev.	Parts No.	Description	Q'ty						I	R
				(A)	(B)	(C)	(D)	(E)	(F)		
1	1	1N1600-77310	BAND 19,UNIVERSAL	2							
2	1	1N1600-84470	HOSE 15X600	1							
3	1	1N1600-84430	CORRUGATE 19X540	1							
4	1	1N3760-27000	JOINT, DRAIN	1							
5	1	26106-080202	BOLT, M8X 20 PLATED	1							
6	1	1N1600-79590	PACKG 12X22X2,RD.CU	1							
7	1	26136-120162	BOLT, M12X 16 PLATED	1							
8	1	24311-000200	O-RING, 1AP20.0	1							
9	1	1N1886-79020	FLANGE,HYDRAULIC	1							
10	1	26106-060252	BOLT, M6X 25 PLATED	4							
11	1	1N3745-19020	ELBOW PT3/8XPF1/2	1							
12	1	1N1675-19010	ELBOW 3/8X1/4 W/SEAT	1							
13	1	1N3760-21000	BASE L COMP.,ENGINE	1							
14	1	26013-100202	BOLT, M10X 20	5							
15	1	22137-120000	WASHER, 12	6							
16	1	26013-120302	BOLT, M12X 30	6							
17	1	1N3760-39080	HOLDER,CABLE	1							
18	1	26106-080202	BOLT, M8X 20 PLATED	1							
19	1	26367-080002	NUT, M8	1							
20	1	1N1600-79050	CLIP C-1U68,CABLE	1							
21	1	1N3760-22000	BASE R COMP.,ENGINE	1							
22	1	26013-100202	BOLT, M10X 20	8							
23	1	22137-120000	WASHER, 12	6							
24	1	26013-120302	BOLT, M12X 30	6							
25	1	1N3760-28000	BASE COMPL.,TANK	1							
26	1	1N3240-29060	RUBBER,TANK UNDER	1							
27	1	22137-120000	WASHER, 12	5							
28	1	26013-120302	BOLT, M12X 30	4							
29	1	1N1600-85540	HOSE 7.5X1150,BRAIDE	1							
30	1	1N1600-85490	BAND	2							
31	1	1N3760-36000	TANK BAND 34 COMP.	1							
32	1	1N1600-75140	CLAMP 10X110,CORD	1							
33	1	26106-080302	BOLT, M8X 30 PLATED	2							
34	1	1N3740-29060	RUBBER,TANK	1							
35	1	1N3760-36000	TANK BAND 34 COMP.	1							
36	1	26106-080302	BOLT, M8X 30 PLATED	2							
37	1	1N3490-31000	FRAME,UPPER RADIATOR	1							
38	1	1N3490-32000	FRAME,LOWER RADIATOR	1							
39	1	26106-060162	BOLT, M6X 16 PLATED	4							
40	1	1N3760-35000	FRAME L COMP.,RADIA.	1							
41	1	1N3970-39020	FRAME,R RADIATOR	1							
42	1	1N1600-81590	CLIP 1-19P7,CABLE	3							
43	1	26106-080162	BOLT, M8X 16 PLATED	4							
44	1	1N3760-34000	BASE COMP.,RADIATOR	1							
45	1	26106-080162	BOLT, M8X 16 PLATED	2							
46	1	1N3760-39050	GUIDE,TANK	1							
47	1	26106-080202	BOLT, M8X 20 PLATED	2							
48	1	22217-080000	WASHER, SPRING 8	2							
49	1	1N1600-81890	NUT,TOUGH LOCK 8MM	2							
50	1	1N3730-39060	TAPE, 150X100	1							
51	1	1N1600-74330	TIE RF250,REPEAT	2							

Remarks

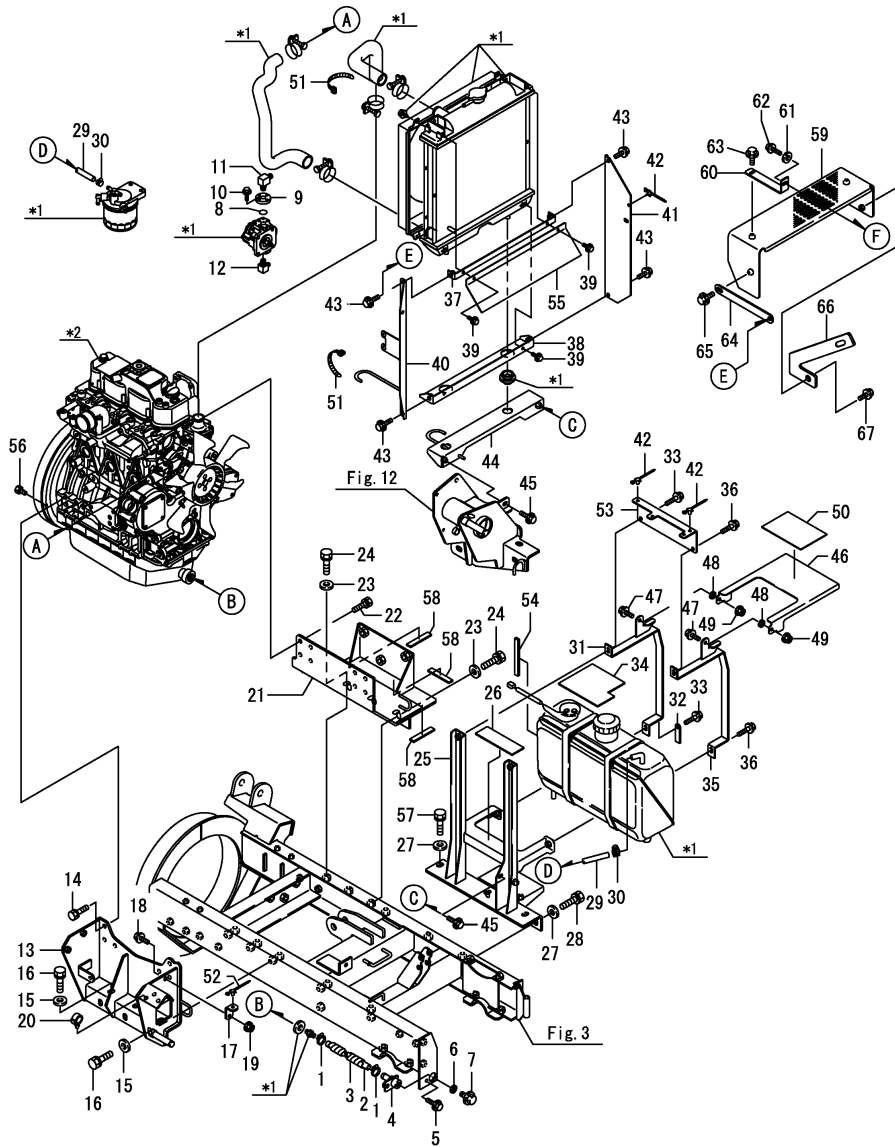
*1.Engine parts.

*2.Engine.

N:Old $\frac{Yes}{No}$ New, Q:Old $\frac{No}{Yes}$ New, R:Old $\frac{Yes}{No}$ New, S:Old $\frac{No}{Yes}$ New, W:Add, Z:Discontinued, F:Interchangeable by set, K:Q'ty Change

++ CONTINUE ++

Fig.1. ENGINE MOUNT



(A)=YSR3340A ,PQ

(B)=

(C)=

(D)=

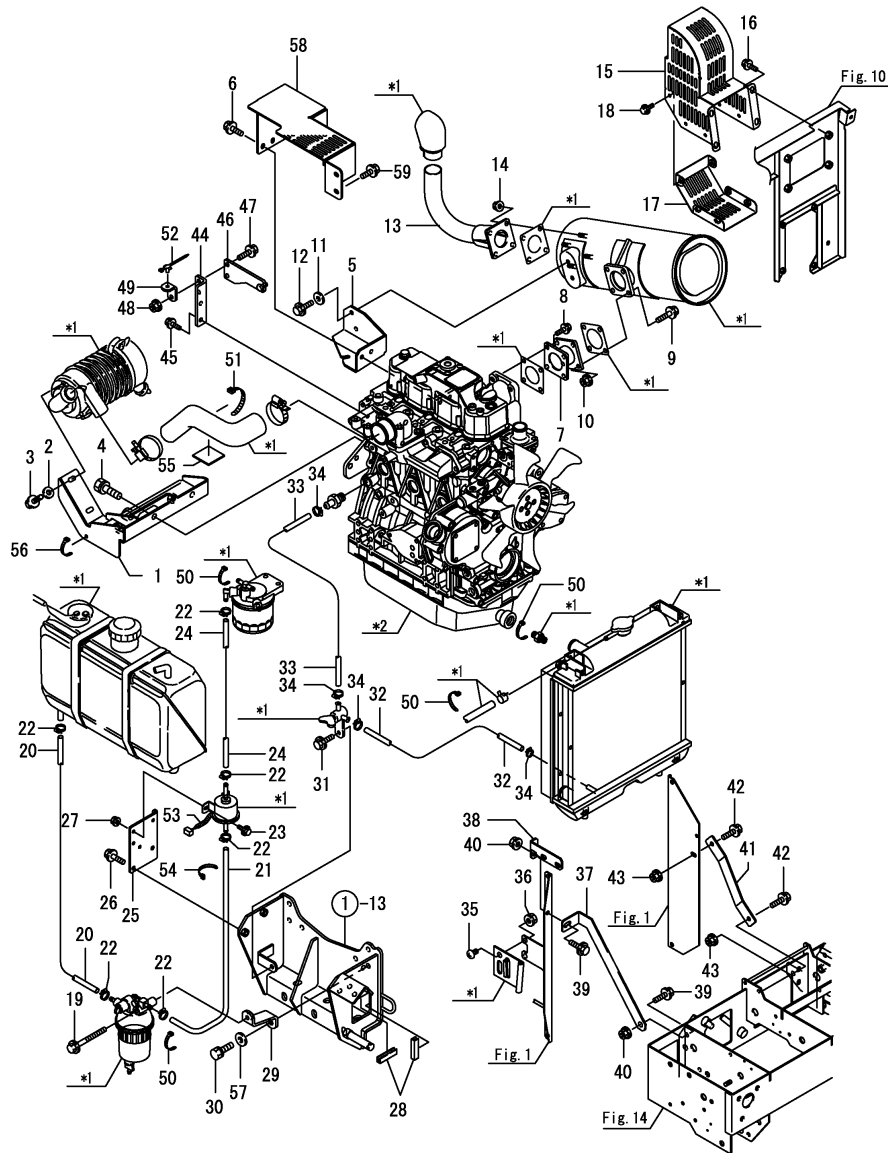
(E)=

(F)=

No.	Lev.	Parts No.	Description	Q'ty						I	R
				(A)	(B)	(C)	(D)	(E)	(F)		
52	1	1N1600-81590	CLIP 1-19P7,CABLE	1							
53	1	1N3978-29010	BRACKET,FUSE	1							
54	1	1N1600-85470	RUBBER 12X120	1							
55	1	1N3970-39010	GUIDE,AIR	1							
56	1	26116-080162	BOLT, M8X 16 PLATED	3							
57	1	26013-120252	BOLT, M12X 25	1							
58	1	1N1600-85480	SPONGE 15X80	3							
59	1	1N3740-85000	COVER COMP.,FAN	1							
60	1	1N3740-89020	STAY A,FAN COVER	2							
61	1	22157-060000	WASHER, 6	2							
62	1	26106-060252	BOLT, M6X 25 PLATED	2							
63	1	26106-080162	BOLT, M8X 16 PLATED	2							
64	1	1N3740-89030	STAY B,FAN COVER	1							
65	1	26106-080162	BOLT, M8X 16 PLATED	1							
66	1	1N3970-89040	STAY ,FAN COVER	1							
67	1	26106-080162	BOLT, M8X 16 PLATED	1							

Remarks
 *1.Engine parts.
 *2.Engine.

Fig.2. ENGINE RELATED



(A)=YSR3340A ,PQ

(B)=

(C)=

(D)=

(E)=

(F)=

No.	Lev.	Parts No.	Description	Q'ty						I	R
				(A)	(B)	(C)	(D)	(E)	(F)		
1	1	1N3970-25000	BRKT CMP,AIR CLEANER	1							
2	1	22157-080000	WASHER, 8	2							
3	1	26106-080202	BOLT, M8X 20 PLATED	2							
4	1	26013-120252	BOLT, M12X 25	2							
5	1	1N3760-29030	BRACKET,MUFFLER	1							
6	1	26106-080162	BOLT, M8X 16 PLATED	2							
7	1	1N3760-24000	JOINT COMP.,MUFFLER	1							
8	1	26106-080162	BOLT, M8X 16 PLATED	4							
9	1	26106-080252	BOLT, M8X 25 PLATED	4							
10	1	26367-080002	NUT, M8	4							
11	1	22157-080000	WASHER, 8	2							
12	1	26106-080202	BOLT, M8X 20 PLATED	2							
13	1	1N3760-26000	PIPE C COMP.,EXTN.	1							
14	1	26367-080002	NUT, M8	4							
15	1	1N3970-32000	COVER CMP,MUFFLER	1							
16	1	26106-080162	BOLT, M8X 16 PLATED	4							
17	1	1N3970-33000	COVER CMP,MUFFLER	1							
18	1	26106-060122	BOLT, M6X 12 PLATED	6							
19	1	26106-080702	BOLT, M8X 70 PLATED	1							
20	1	1N1600-79560	HOSE 7.5X1000,BRAID.	1							
21	1	1N1600-85510	HOSE 7.5X530,BRAIDED	1							
22	1	1N1600-85490	BAND	6							
23	1	26106-060162	BOLT, M6X 16 PLATED	2							
24	1	1N1600-85680	HOSE 7.5X210,BRAIDED	1							
25	1	1N3760-29040	BRACKET, PUMP	1							
26	1	26106-080202	BOLT, M8X 20 PLATED	2							
27	1	26367-060002	NUT, M6	2							
28	1	1N3740-29030	RUBBER 12.5X53	2							
29	1	1N3970-23000	STAY CMP,SEPARATOR	1							
30	1	26013-100252	BOLT, M10X 25	1							
31	1	26106-080202	BOLT, M8X 20 PLATED	1							
32	1	1N1600-85700	HOSE 7.5X700,BRAIDED	1							
33	1	1N1600-80590	HOSE 7.5X240,BRAIDED	1							
34	1	1N1600-85490	BAND	4							
35	1	1N1600-84910	SCREW,TRUSS 8X12	2							
36	1	26367-080002	NUT, M8	2							
37	1	1N3760-39030	STAY L, RADIATOR	1							
38	1	1N3761-19010	STAY,SUB TANK	1							
39	1	26106-080202	BOLT, M8X 20 PLATED	2							
40	1	26367-080002	NUT, M8	2							
41	1	1N3970-39040	STAY,R RADIATOR	1							
42	1	26106-080202	BOLT, M8X 20 PLATED	2							
43	1	26367-080002	NUT, M8	2							
44	1	1N3760-39070	BRACKET	1							
45	1	26106-080162	BOLT, M8X 16 PLATED	2							
46	1	1N3760-37000	BRACKET COMP.,DAMPER	1							
47	1	26106-080252	BOLT, M8X 25 PLATED	2							
48	1	26367-080002	NUT, M8	2							
49	1	1N3760-39080	HOLDER,CABLE	1							
50	1	1N1600-77210	TIE RF140,REPEAT	4							
51	1	1N1600-74330	TIE RF250,REPEAT	1							

Remarks
*1.Engine parts.
*2.Engine.

Fig.2. ENGINE RELATED

(A)=YSR3340A ,PQ

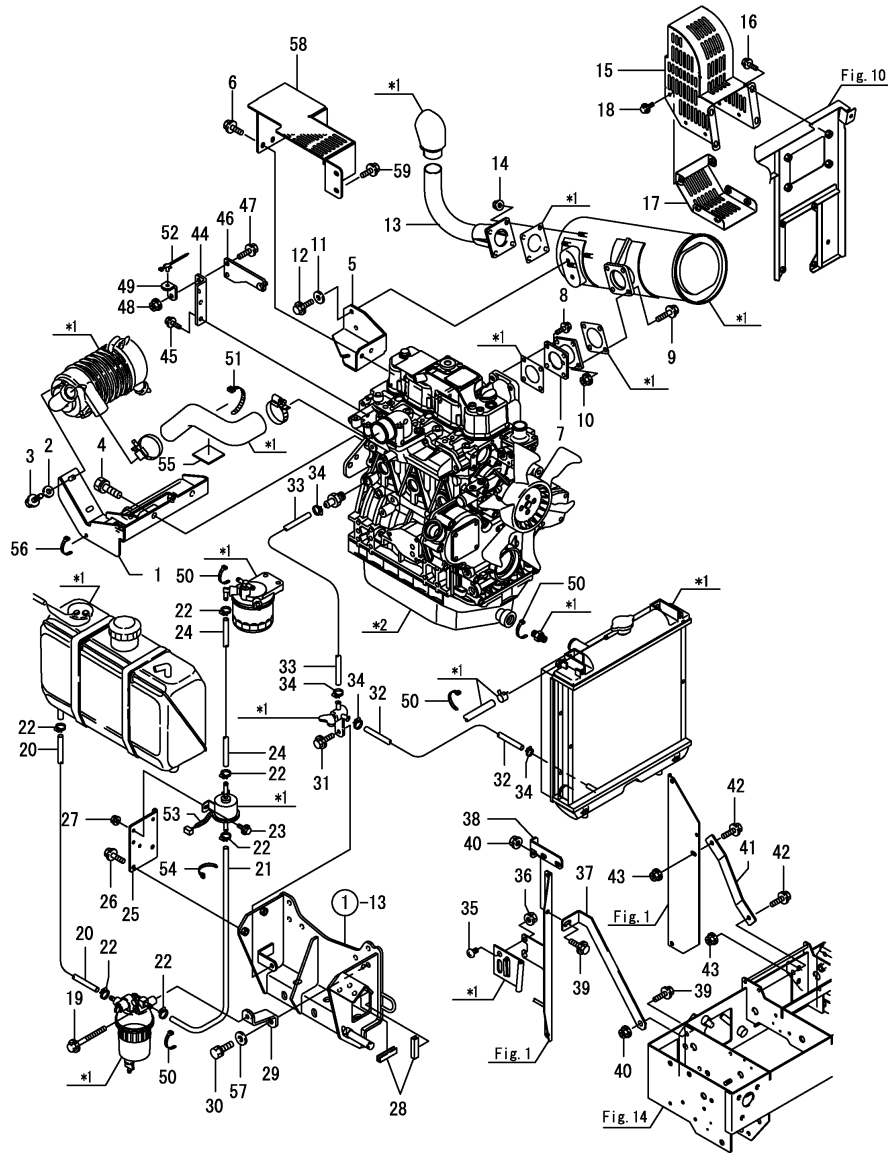
(B)=

(C)=

(D)=

(E)=

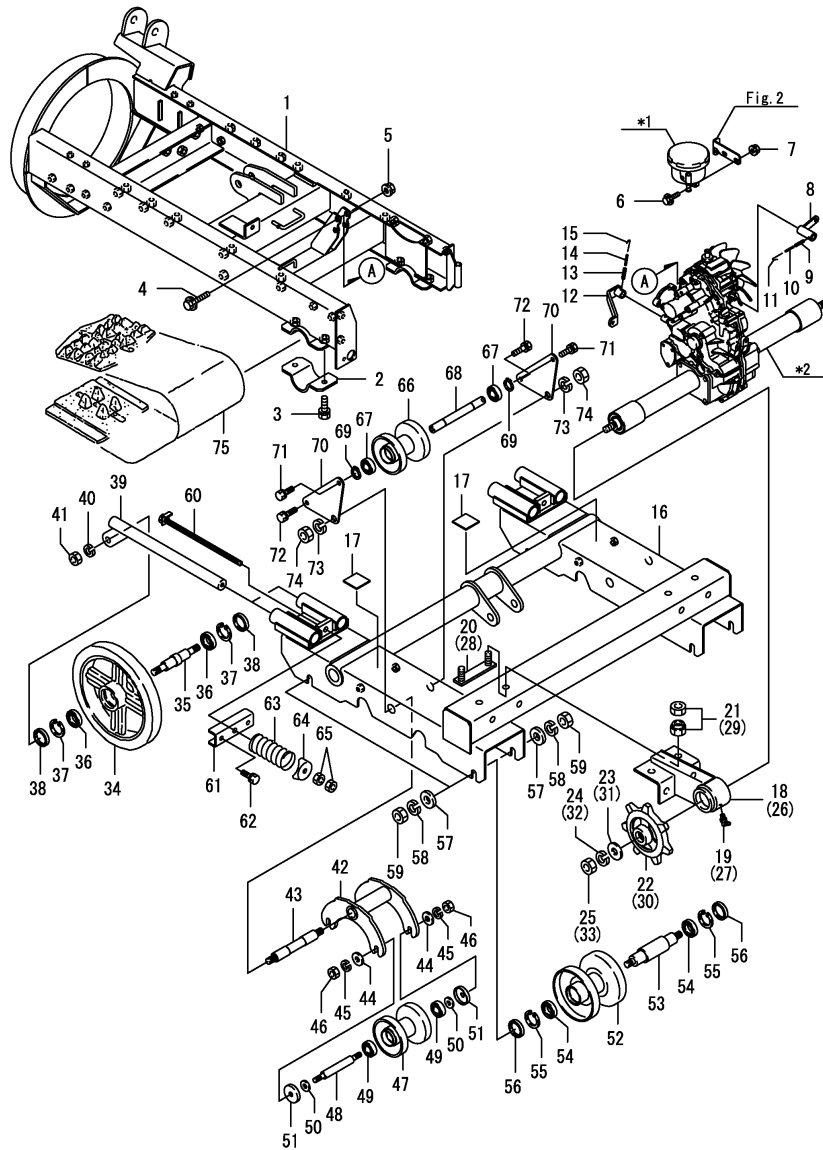
(F)=



No.	Lev.	Parts No.	Description	Q'ty						I	R
				(A)	(B)	(C)	(D)	(E)	(F)		
52	1	1N1600-81590	CLIP 1-19P7,CABLE	1							
53	1	1N1600-85830	CORRUGATE 7X120	1							
54	1	1N1600-77210	TIE RF140,REPEAT	1							
55	1	1N3242-19050	RUBBER 50X50X3.0	1							
56	1	1N1600-81590	CLIP 1-19P7,CABLE	1							
57	1	22157-100000	WASHER, 10	1							
58	1	1N3760-81000	PROTECTOR COMP.,HEAT	1							
59	1	26106-080122	BOLT, M8X 12 PLATED	2							

Remarks
 *1.Engine parts.
 *2.Engine.

Fig.3. CHASSIS



(A)=YSR3340A ,PQ

(B)=

(C)=

(D)=

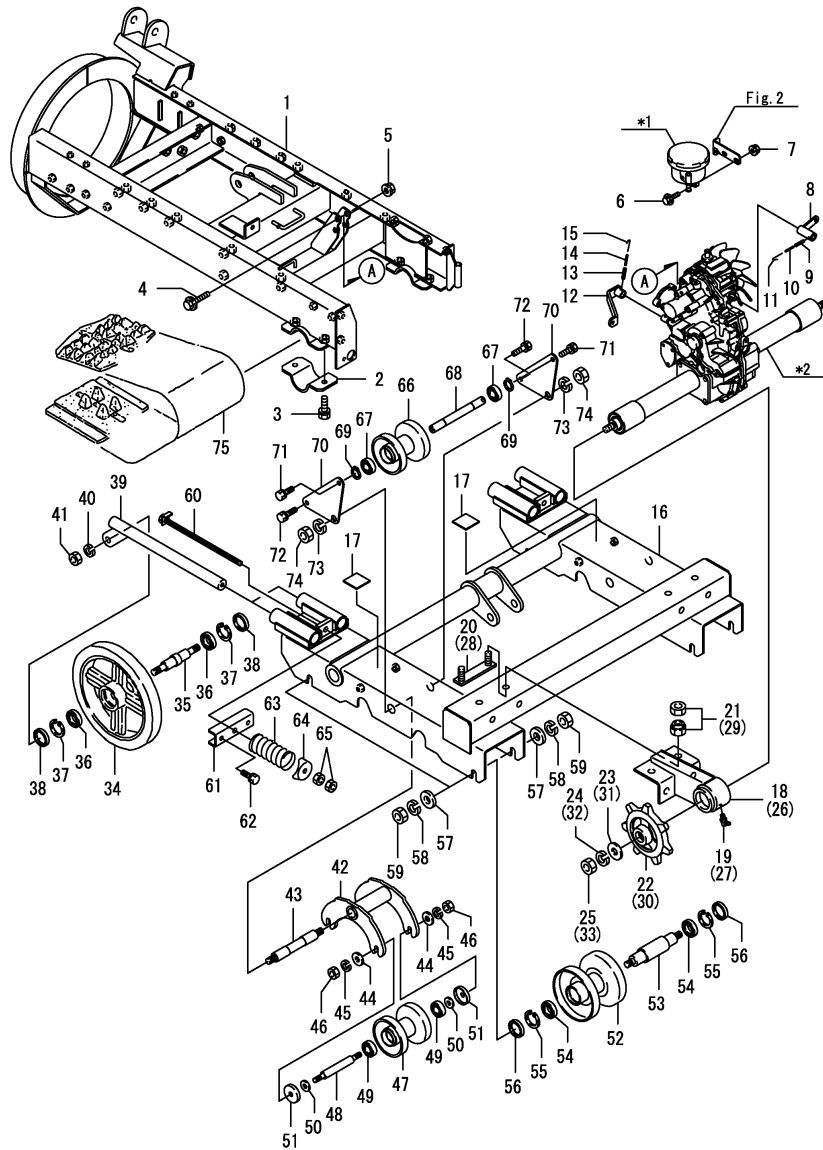
(E)=

(F)=

No.	Lev.	Parts No.	Description	Q'ty						I	R
				(A)	(B)	(C)	(D)	(E)	(F)		
1	1	1N3764-11000	FRAME COMPL.,BODY	1							
2	1	1N3074-19030	HOLDER,AXLE	2							
3	1	26013-120302	BOLT, M12X 30	4							
4	1	26136-100502	BOLT, M10X 50 PLATED	2							
5	1	26377-100002	NUT, M10	2							
6	1	26106-080202	BOLT, M8X 20 PLATED	2							
7	1	26367-080002	NUT, M8	2							
8	1	1N3767-53000	ARM COMPL.,CHANGE	1							
9	1	22351-050025	PIN, SPRING 5.0X25	1							
10	1	22351-030025	PIN, SPRING 3.0X25	1							
11	1	1N3247-59130	CAP 1.2X100	1							
12	1	1N3227-54000	ARM COMP.,SUB-CHANGE	1							
13	1	22351-060025	PIN, SPRING 6.0X25	1							
14	1	22351-035025	PIN, SPRING 3.5X25	1							
15	1	1N3247-59130	CAP 1.2X100	1							
16	1	1N3242-11001	FRAME COMP.,CRAWLER	1							
17	1	1N3242-19050	RUBBER 50X50X3.0	2							
18	1	1N3742-12000	SUPPORT L CMP.,AXLE	1							
19	1	1N1600-83250	NIPPLE B-M6X1	1							
20	1	1N3242-15000	SET BOLT ASSY	2							
21	1	1N1600-78940	NUT M16,HARD LOCK	4							
22	1	1N3742-69010	SPROCKET,DRIVE	1							
23	1	1N1600-84330	WASHER 16X40X4.5,RD.	1							
24	1	22217-160000	WASHER, SPRING 16	1							
25	1	26717-160002	NUT, M16	1							
26	1	1N3742-13000	SUPPORT R CMP.,AXLE	1							
27	1	1N1600-83250	NIPPLE B-M6X1	1							
28	1	1N3242-15000	SET BOLT ASSY	2							
29	1	1N1600-78940	NUT M16,HARD LOCK	4							
30	1	1N3742-69010	SPROCKET,DRIVE	1							
31	1	1N1600-84330	WASHER 16X40X4.5,RD.	1							
32	1	22217-160000	WASHER, SPRING 16	1							
33	1	26717-160002	NUT, M16	1							
34	1	1N3242-69010	WHEEL,FRONT	2							
35	1	1N3102-49020	SHAFT B,WHEEL	2							
36	1	24101-060054	BEARING, BALL 6005	4							
37	1	22252-000470	RING, 47	4							
38	1	24421-254708	SEAL, OIL TC254708	4							
39	1	1N3742-14000	BEAM COMP.,TENSION	4							
40	1	22217-160000	WASHER, SPRING 16	4							
41	1	26717-160002	NUT, M16	4							
42	1	1N3242-14001	FRAME CMP.,EQUALIZER	2							
43	1	1N3242-49011	SHAFT,EQUALIZER	2							
44	1	1N1600-77080	WASHER 12X30X4.5,CIR	8							
45	1	22217-120000	WASHER, SPRING 12	8							
46	1	26717-120002	NUT, M12	8							
47	1	1N3242-61000	WHEEL CMP.,EQUALIZER	4							
48	1	1N3242-49020	SHAFT,EQUALZR.WHEEL	4							
49	1	24104-060044	BEARING, BALL 6004UU	8							
50	1	1N1600-77080	WASHER 12X30X4.5,CIR	8							
51	1	1N1600-78790	COVER,TRACK ROLLER	8							

Remarks
 *1.Mission parts.
 *2.Mission.

Fig.3. CHASSIS



(A)=YSR3340A ,PQ

(B)=

(C)=

(D)=

(E)=

(F)=

No.	Lev.	Parts No.	Description	Q'ty						I	R
				(A)	(B)	(C)	(D)	(E)	(F)		
52	1	1N3102-61000	WHEEL COMP.,CRAWLER	4							
53	1	1N3242-49030	SHAFT A,WHEEL	4							
54	1	24101-060054	BEARING, BALL 6005	8							
55	1	22252-000470	RING, 47	8							
56	1	24421-254708	SEAL, OIL TC254708	8							
57	1	22137-160000	WASHER, 16	8							
58	1	22217-160000	WASHER, SPRING 16	8							
59	1	26717-160002	NUT, M16	8							
60	1	1N3102-15001	BOLT COMP.,TENSION	2							
61	1	1N3742-19010	SUPPORT,TENSION BEAM	2							
62	1	1N1600-85800	BOLT M10X20,SM.SPR.	4							
63	1	1N3242-39010	SPG,COIL,BJ 50X100	2							
64	1	1N3742-19020	HOLDER,SPRING	2							
65	1	26717-120002	NUT, M12	4							
66	1	1N3242-61000	WHEEL CMP.,EQUALIZER	2							
67	1	24104-060044	BEARING, BALL 6004UU	4							
68	1	1N3762-49010	SHAFT,CRAWLR.IDLER	2							
69	1	22242-000200	RING, 20	4							
70	1	1N3762-19010	SUPPORT,CRAWLR.IDLER	4							
71	1	1N1600-78870	BOLT M10X20,SM.SPR.	4							
72	1	1N1600-78880	BOLT M10X25,SM.SPRG	4							
73	1	22217-160000	WASHER, SPRING 16	4							
74	1	26717-160002	NUT, M16	4							
75	1	1N1682-39010	CRAWLER 300X72X40,RB	2							

Remarks
 *1.Mission parts.
 *2.Mission.

Fig.4. SNOW REMOVING FRAME

(A)=YSR3340A ,PQ

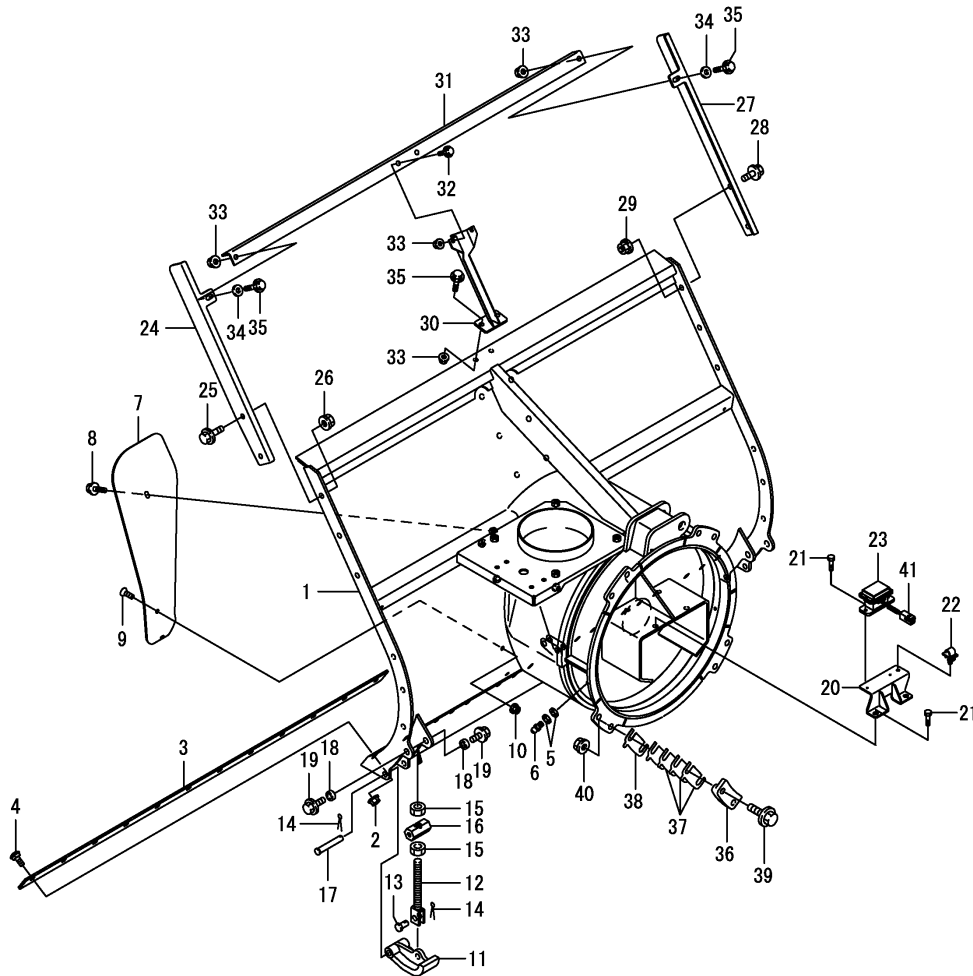
(B)=

(C)=

(D)=

(E)=

(F)=



No.	Lev.	Parts No.	Description	Q'ty						I	R
				(A)	(B)	(C)	(D)	(E)	(F)		
1	1	7N3973-11000	FRAME, WORK PLASY	1							
2	1	26367-080002	NUT, M8	12							
3	1	1N3743-19070	EDGE	1							
4	1	1N1600-84150	BOLT 8X20	12							
5	1	22137-060000	WASHER, 6	6							
6	1	1N1600-75150	NIPPLE A-MT6X1,GRS.	3							
7	1	1N1673-19010	PLATE,SHIELDING	1							
8	1	26106-080202	BOLT, M8X 20 PLATED	1							
9	1	1N1600-82930	SCREW 8X16	2							
10	1	26367-080002	NUT, M8	2							
11	1	1N1600-75830	SLEDGE	2							
12	1	1N1683-13000	SUPPORT,SLEDGE	2							
13	1	1N1689-14010	PIN 12X22	2							
14	1	22417-250200	PIN, COTTER 2.5X20	4							
15	1	26717-160002	NUT, M16	4							
16	1	1N3743-19050	POST	2							
17	1	1N1689-14020	PIN 12X70	2							
18	1	1N3743-19060	COLLAR,POST	4							
19	1	26136-100202	BOLT, M10X 20 PLATED	4							
20	1	1N3973-22000	BASE, SENSOR CMP	1							
21	1	26013-100302	BOLT, M10X 30	2							
22	1	1N1600-86320	CABLE CLIP A-3455	1							
23	1	1N3978-37000	SENSOR,INCLINATION	1							
24	1	1N3743-19010	PLATE L,SNOW CUTTING	1							
25	1	26136-100252	BOLT, M10X 25 PLATED	2							
26	1	26377-100002	NUT, M10	2							
27	1	1N3743-19020	PLATE R,SNOW CUTTING	1							
28	1	26136-100252	BOLT, M10X 25 PLATED	2							
29	1	26377-100002	NUT, M10	2							
30	1	1N3743-14000	SUPPORT COMP.,CENTER	1							
31	1	1N3743-19040	BAR,SNOW CUTTING	1							
32	1	26106-080162	BOLT, M8X 16 PLATED	2							
33	1	26367-080002	NUT, M8	6							
34	1	22157-080000	WASHER, 8	2							
35	1	26106-080202	BOLT, M8X 20 PLATED	4							
36	1	1N3243-14000	ROLLING GUIDE	4							
37	1	1N3243-19020	SIM	16							
38	1	1N3243-19030	SHIM	4							
39	1	26136-120452	BOLT, M12X 45 PLATED	8							
40	1	26377-120002	NUT, M12	8							
41	1	1N1600-90140	CORRUGATE 7*450	1							

Fig.5. CHUTE

(A)=YSR3340A ,PQ

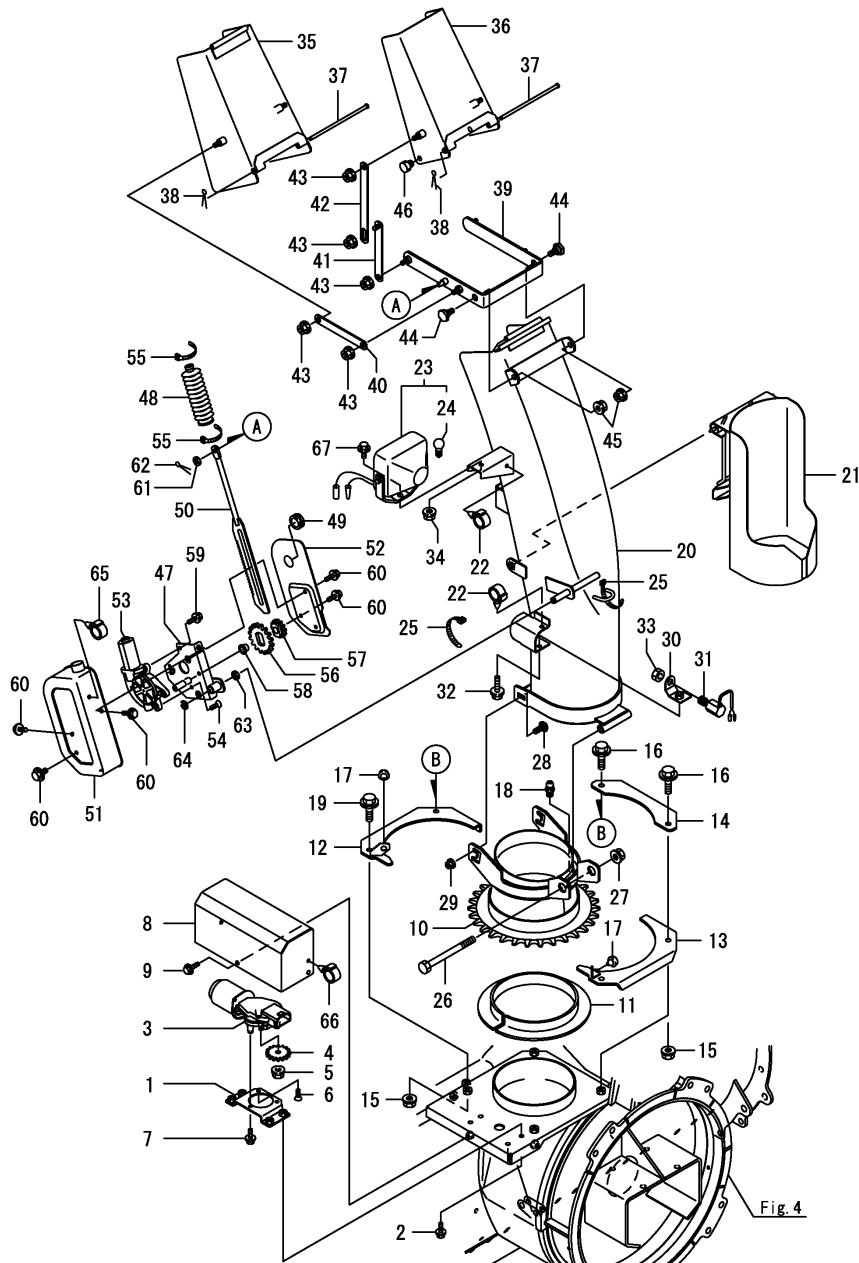
(B)=

(C)=

(D)=

(E)=

(F)=



No.	Lev.	Parts No.	Description	Qty						I	R
				(A)	(B)	(C)	(D)	(E)	(F)		
1	1	1N3973-13000	BRACKET CMP,MOTOR	1							
2	1	26106-080162	BOLT, M8X 16 PLATED	4							
3	1	1N3768-11000	MOTOR LM12	1							
4	1	1N3973-39050	GEAR,MOTOR	1							
5	1	26367-080002	NUT, M8	1							
6	1	1N1600-81490	SCREW M6X 16,CRFHMC.	1							
7	1	26106-060162	BOLT, M6X 16 PLATED	2							
8	1	1N3973-89010	COVER,MOTOR	1							
9	1	26106-080162	BOLT, M8X 16 PLATED	3							
10	1	1N3973-32000	BASE CMP,CHUTER	1							
11	1	1N3973-39030	RING	1							
12	1	1N3973-33000	STOPPER CMP,F CHUTER	1							
13	1	1N3973-34000	STOPPER CMP,R CHUTER	1							
14	1	1N3973-39060	GUIDE,STOPPER	1							
15	1	26377-100002	NUT, M10	4							
16	1	1N1600-85560	BOLT 10X1.25X35	2							
17	1	1N3973-39070	RUBBER,CUSHION	2							
18	1	1N1600-75150	NIPPLE A-MT6X1,GRS.	1							
19	1	26136-100302	BOLT, M10X 30 PLATED	2							
20	1	7N3973-31000	CHUTE,900 PL ASY	1							
21	1	7N1600-83860	COVER CMP (PL	1							
22	1	1N1600-81440	CLIP C-4397,CABLE	2							
23	1	1N1600-83990	WORKING LAMP	1							
24	2	1N1600-83490	BULB,12V18W	1							
25	1	1N1600-77210	TIE RF140,REPEAT	2							
26	1	1N1600-85880	BOLT,10X1.25X110(11T	1							
27	1	26377-100002	NUT, M10	1							
28	1	1N1600-84150	BOLT 8X20	2							
29	1	26367-080002	NUT, M8	2							
30	1	1N3068-12000	BRACKET CMP,CHUTE SW	1							
31	1	1N1808-31000	SWITCH,GUARD	1							
32	1	26106-080122	BOLT, M8X 12 PLATED	1							
33	1	26737-120002	NUT, M12	1							
34	1	26367-080002	NUT, M8	1							
35	1	1N3733-33000	DEFLECTOR A COMPL.	1							
36	1	1N3733-34000	DEFLECTOR B COMPL.	1							
37	1	1N1600-84350	PIN 6X165,PRESSED	2							
38	1	22417-200120	COTTER PIN 2.0X12	2							
39	1	1N3973-35000	ARM CMP,CHUTER	1							
40	1	1N3733-39020	ARM 129,LINK	2							
41	1	1N3733-36000	LINK A COMP.,CHUTE	2							
42	1	1N3973-39080	LINK B,CHUTER	2							
43	1	26367-080002	NUT, M8	10							
44	1	1N3733-39040	BOLT,STEPPED	2							
45	1	26367-080002	NUT, M8	2							
46	1	1N1600-84400	PLUG 18,HOLE	2							
47	1	1N3973-37000	MOTOR BRACKET COMP	1							
48	1	1N3163-39040	BOOT,SHOOTER	1							
49	1	1N1600-85570	BUSH, RUBBER	1							
50	1	1N3973-42000	RACK CMP,CHUTER	1							
51	1	1N3973-81000	COVER CMP,MOTOR	1							

Fig.5. CHUTE

(A)=YSR3340A ,PQ

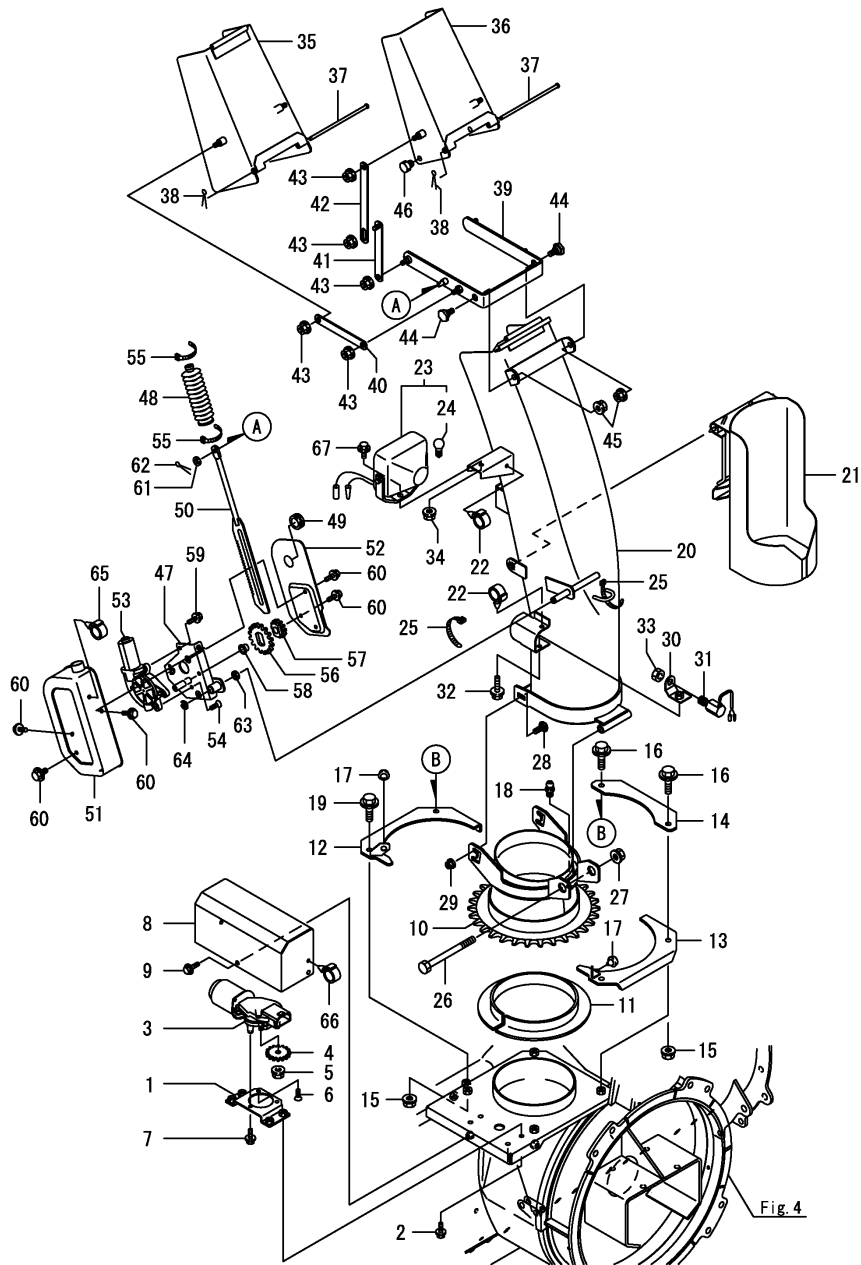
(B)=

(C)=

(D)=

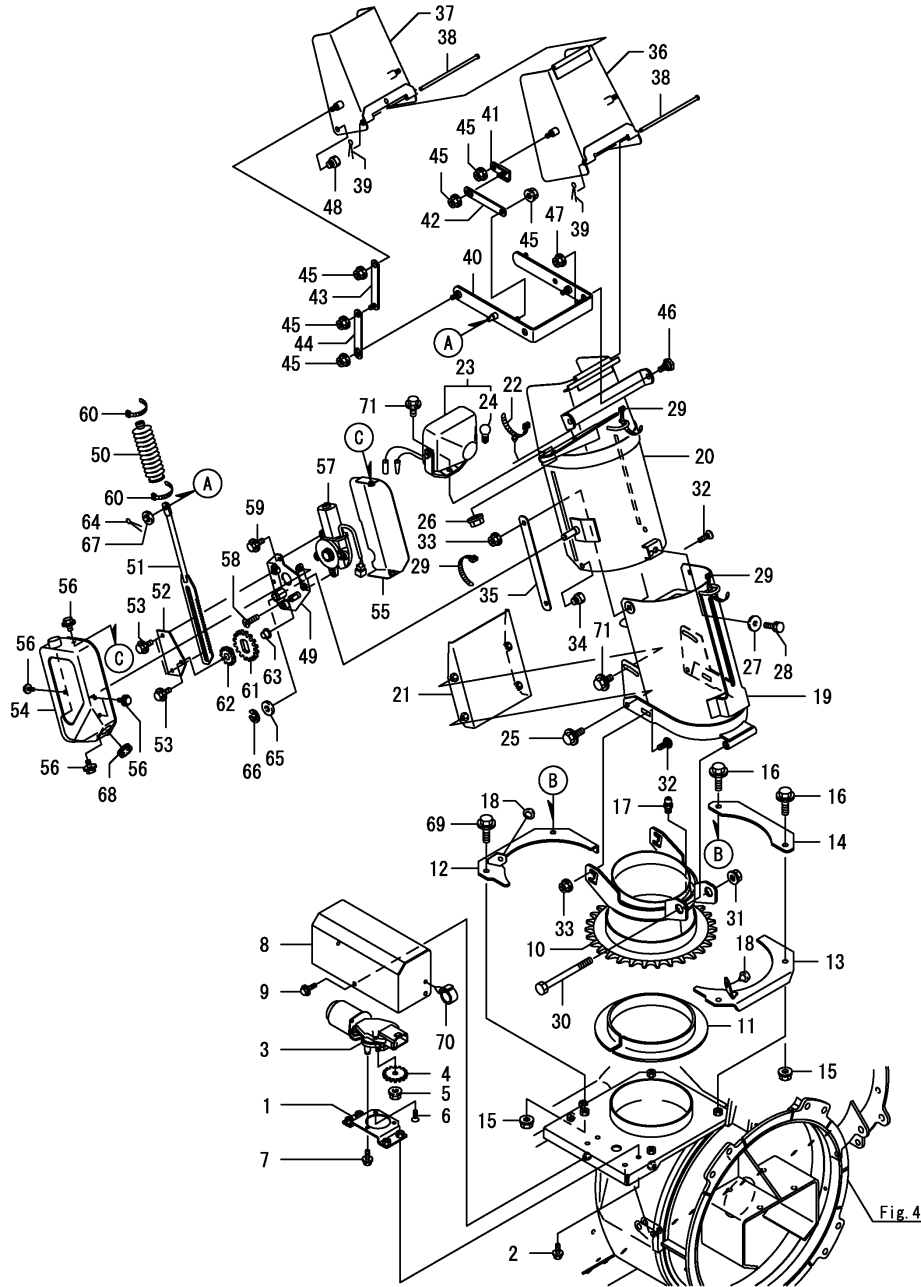
(E)=

(F)=



No.	Lev.	Parts No.	Description	Q'ty						I	R
				(A)	(B)	(C)	(D)	(E)	(F)		
52	1	1N3973-89050	COVER,MOTOR	1							
53	1	1N3738-11000	MOTOR JC578VA	1							
54	1	1N1600-81490	SCREW M6X 16,CRFHMC.	1							
55	1	1N1600-81430	BAND CV-140SW,CABLE	2							
56	1	1N3763-39020	GEAR M2X32	1							
57	1	1N3763-39030	GEAR M2X18	1							
58	1	1N1600-79290	BUSH 80F-1210,FLANGE	1							
59	1	26106-060162	BOLT, M6X 16 PLATED	3							
60	1	26106-060122	BOLT, M6X 12 PLATED	6							
61	1	22137-080000	WASHER, 8	1							
62	1	22417-250150	COTTER PIN 2.5X15	1							
63	1	22137-120000	WASHER, 12	1							
64	1	1N1600-85580	E-RING 9	1							
65	1	1N1600-81440	CLIP C-4397,CABLE	1							
66	1	1N1600-81440	CLIP C-4397,CABLE	1							
67	1	26106-080162	BOLT, M8X 16 PLATED	1							

Fig.6. SLIDE CHUTE



(A)=YSR3340A ,PQ

(B)=

(C)=

(D)=

(E)=

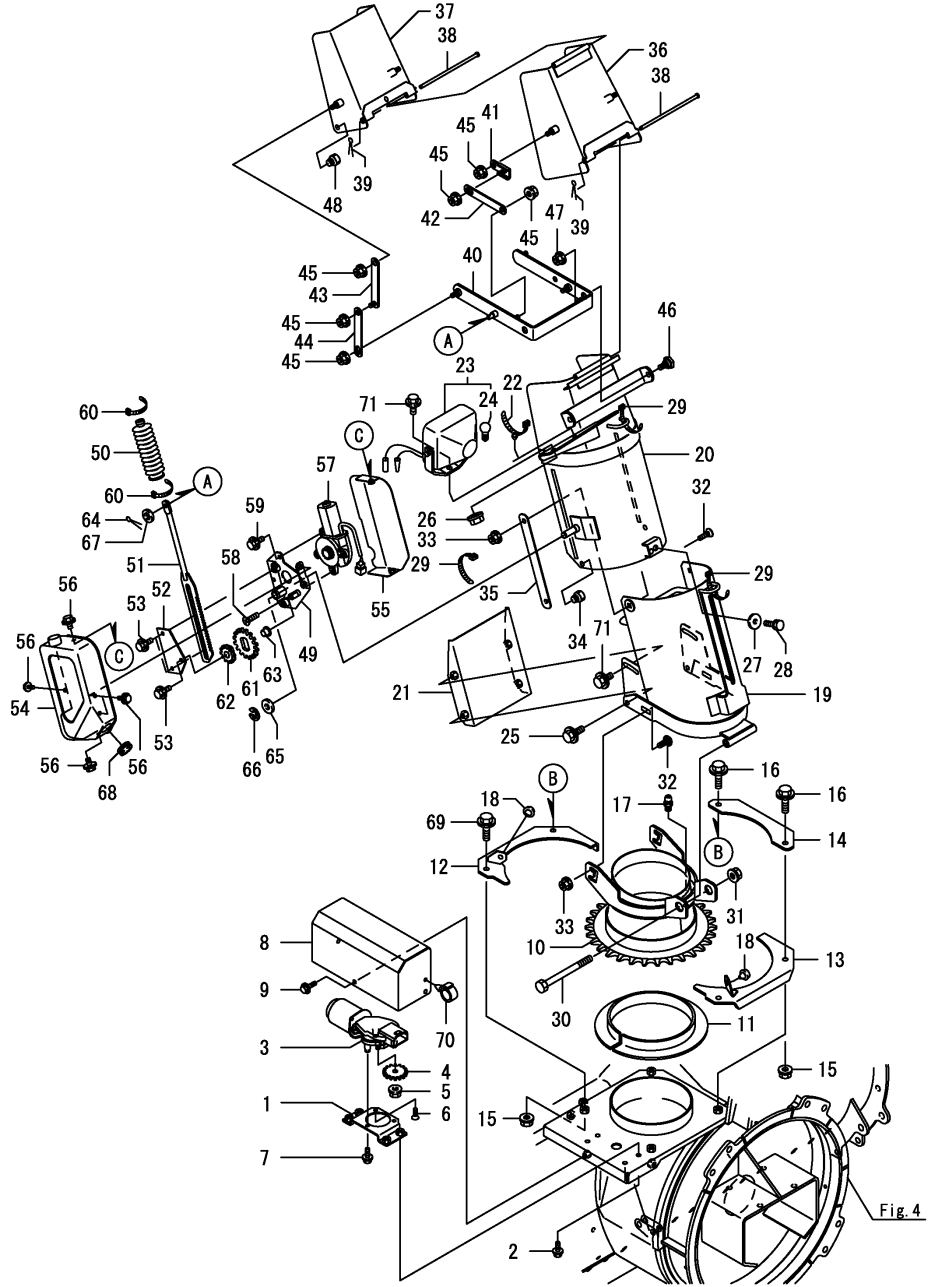
(F)=

No.	Lev.	Parts No.	Description	Q'ty						I	R
				(A)	(B)	(C)	(D)	(E)	(F)		
1	1	1N3973-13000	BRACKET CMP,MOTOR	1							
2	1	26106-080162	BOLT, M8X 16 PLATED	4							
3	1	1N3768-11000	MOTOR LM12	1							
4	1	1N3973-39050	GEAR,MOTOR	1							
5	1	26367-080002	NUT, M8	1							
6	1	1N1600-81490	SCREW M6X 16,CRFHMC.	1							
7	1	26106-060162	BOLT, M6X 16 PLATED	2							
8	1	1N3973-89010	COVER,MOTOR	1							
9	1	26106-080162	BOLT, M8X 16 PLATED	3							
10	1	1N3973-32000	BASE CMP,CHUTER	1							
11	1	1N3973-39030	RING	1							
12	1	1N3983-43000	STOPPER CMP,F CHUTER	1							
13	1	1N3983-44000	STOPPER CMP,R CHUTER	1							
14	1	1N3973-39060	GUIDE,STOPPER	1							
15	1	26377-100002	NUT, M10	4							
16	1	1N1600-85560	BOLT 10X1.25X35	2							
17	1	1N1600-75150	NIPPLE A-MT6X1,GRS.	1							
18	1	1N3973-39070	RUBBER,CUSHION	2							
19	1	1N3983-31000	CHUTER CMP,A	1							
20	1	7N3983-32000	CHUTE,B PL ASY	1							
21	1	7N3983-33000	CARTRIDGE,COVER PL	1							
22	1	1N1600-81590	CLIP 1-19P7,CABLE	1							
23	1	1N1600-83990	WORKING LAMP	1							
24	2	1N1600-83490	BULB,12V18W	1							
25	1	26106-080202	BOLT, M8X 20 PLATED	2							
26	1	26367-080002	NUT, M8	1							
27	1	22157-080000	WASHER, 8	1							
28	1	1N1600-85890	BOLT W/WASHER M8X20	1							
29	1	1N1600-77210	TIE RF140,REPEAT	3							
30	1	1N1600-85880	BOLT,10X1.25X110(11T	1							
31	1	26377-100002	NUT, M10	1							
32	1	1N1600-84150	BOLT 8X20	4							
33	1	26367-080002	NUT, M8	4							
34	1	1N1600-84400	PLUG 18,HOLE	3							
35	1	1N3773-39050	COVER, SLIT	2							
36	1	1N3773-34000	DEFLECTOR A COMPL.	1							
37	1	1N3983-35000	GUIDE CMP,B CHUTER	1							
38	1	1N1600-84350	PIN 6X165,PRESSED	2							
39	1	22417-200120	COTTER PIN 2.0X12	2							
40	1	1N3983-36000	ARM CMP,CHUTER	1							
41	1	1N3983-38000	LINK CMP,A CHUTER	2							
42	1	1N3983-39010	LINK B,CHUTER	2							
43	1	1N3983-41000	LINK CMP,C CHUTER	2							
44	1	1N3983-39010	LINK B,CHUTER	2							
45	1	26367-080002	NUT, M8	12							
46	1	1N3733-39040	BOLT,STEPPED	2							
47	1	26367-080002	NUT, M8	2							
48	1	1N1600-84400	PLUG 18,HOLE	2							
49	1	1N3983-37000	BRACKET CMP,MOTOR	1							
50	1	1N3163-39040	BOOT,SHOOTER	1							
51	1	1N3983-42000	RACK CMP,CHUTER	1							

N:Old $\begin{matrix} \leftarrow \text{Yes} \\ \text{No} \end{matrix}$ New, Q:Old $\begin{matrix} \leftarrow \text{No} \\ \text{Yes} \end{matrix}$ New, R:Old $\begin{matrix} \leftarrow \text{Yes} \\ \text{Yes} \end{matrix}$ New, S:Old $\begin{matrix} \leftarrow \text{No} \\ \text{No} \end{matrix}$ New, W:Add, Z:Discontinued, F:Interchangeable by set, K:Q'ty Change

++ CONTINUE ++

Fig.6. SLIDE CHUTE



(A)=YSR3340A ,PQ
(B)=
(C)=

(D)=
(E)=
(F)=

No.	Lev.	Parts No.	Description	Q'ty						I	R
				(A)	(B)	(C)	(D)	(E)	(F)		
52	1	1N3763-39040	PLATE,RETAINER	1							
53	1	26106-060162	BOLT, M6X 16 PLATED	3							
54	1	1N3983-81000	COVER CMP,A MOTOR	1							
55	1	1N3983-82000	COVER CMP,B MOTOR	1							
56	1	26106-060122	BOLT, M6X 12 PLATED	5							
57	1	1N3738-11000	MOTOR JC578VA	1							
58	1	1N1600-81490	SCREW M6X 16,CRFHMC.	1							
59	1	26106-060162	BOLT, M6X 16 PLATED	3							
60	1	1N1600-81430	BAND CV-140SW,CABLE	2							
61	1	1N3763-39020	GEAR M2X32	1							
62	1	1N3763-39030	GEAR M2X18	1							
63	1	1N1600-79290	BUSH 80F-1210,FLANGE	1							
64	1	22417-250150	COTTER PIN 2.5X15	1							
65	1	22137-120000	WASHER, 12	1							
66	1	1N1600-85580	E-RING 9	1							
67	1	22137-080000	WASHER, 8	1							
68	1	1N1600-85570	BUSH, RUBBER	1							
69	1	26136-100302	BOLT, M10X 30 PLATED	2							
70	1	1N1600-81440	CLIP C-4397,CABLE	1							
71	1	26106-080162	BOLT, M8X 16 PLATED	3							

Fig.7. GEAR CASE

(A)=YSR3340A ,PQ

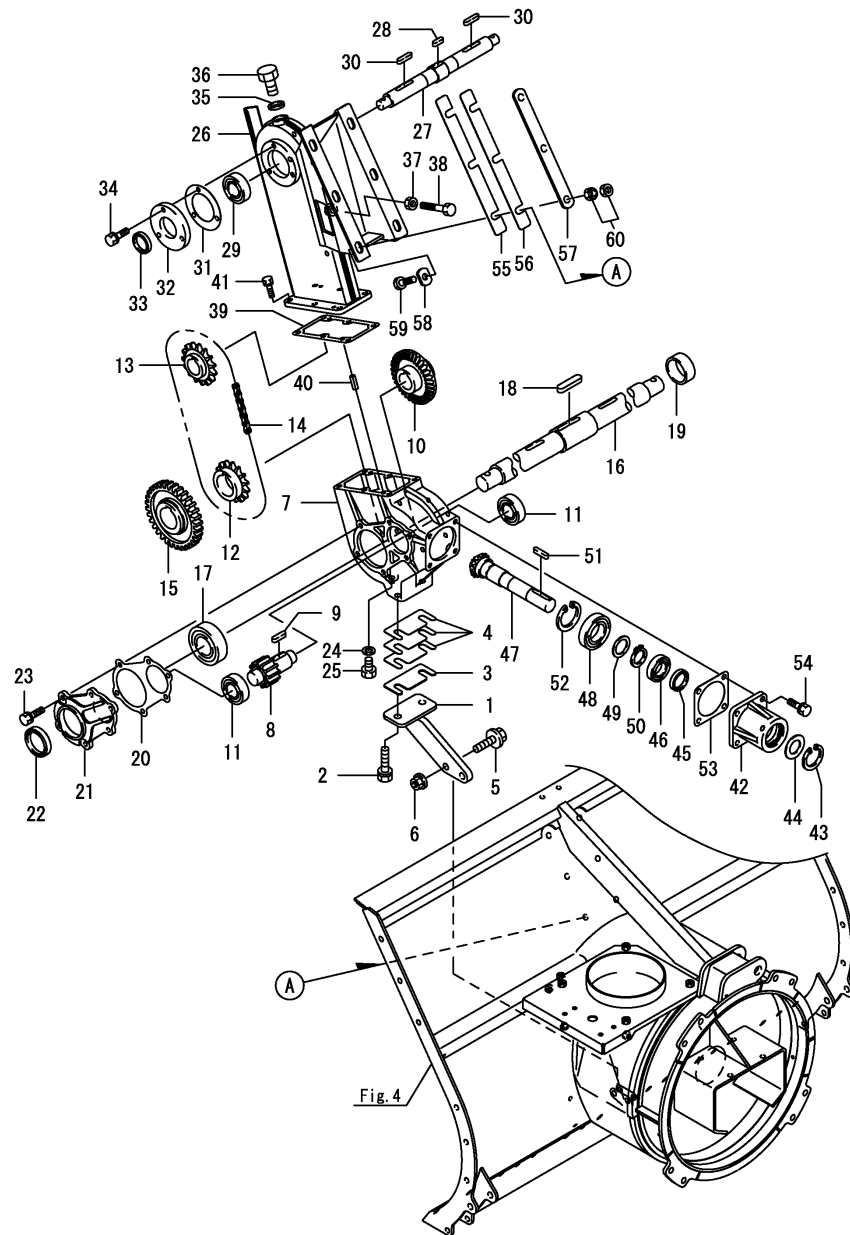
(B)=

(C)=

(D)=

(E)=

(F)=



No.	Lev.	Parts No.	Description	Q'ty						I	R
				(A)	(B)	(C)	(D)	(E)	(F)		
1	1	1N3743-12000	SUPPORT COMP.,CASE	1							
2	1	1N1600-78890	BOLT M10X30,SM.SPRG	2							
3	1	1N1610-70210	LINER 2.0,GEAR CASE	1							
4	1	1N1610-70220	LINER 0.6,GEAR CASE	3							
5	1	1N1600-85560	BOLT 10X1.25X35	2							
6	1	26377-100002	NUT, M10	2							
7	1	1N1673-19110	CASE,AUGER GEAR	1							
8	1	1N1610-70100	GEAR M3.5X12,SPUR	1							
9	1	1N1600-72040	KEY 8X7X30 RR,FEATHR	1							
10	1	1N1763-29070	GEAR M3X33,BEVEL	1							
11	1	24101-062054	BEARING, BALL 6205	2							
12	1	1N1633-29070	SPROCKET 40X18,LOWER	1							
13	1	1N1633-29080	SPROCKET 40X18,UPPER	1							
14	1	1N1679-19110	CHAIN 40X78,ROLLER	1							
15	1	1N1610-70110	GEAR M3.5X34,SPUR	1							
16	1	1N1853-49010	SHAFT,AUGER	1							
17	1	24101-062074	BEARING, BALL 6207	2							
18	1	1N1600-72130	KEY 12X8X52 RR,FTHR.	1							
19	1	1N1633-29090	COLLAR 40X19	1							
20	1	1N1610-70030	PACKING,GR.CS.COVER	2							
21	1	1N1633-19041	COVER,AUGER GEAR CS.	2							
22	1	24421-355511	SEAL, OIL TC355511	2							
23	1	1N1600-73590	BOLT W/SP,SM.PRECORD	12							
24	1	1N1600-77650	PACKING 10X18X2,RD.	1							
25	1	26117-100162	BOLT M10X 16 PLATED	1							
26	1	1N1673-16000	CASE,CHAIN	1							
27	1	1N3243-49010	SHAFT,UPR.STG.ROTARY	1							
28	1	1N1600-71960	KEY 7X7X23 RR,FEATHR	1							
29	1	24101-062054	BEARING, BALL 6205	2							
30	1	1N1600-72000	KEY 7X7X33 SS,FEATHR	2							
31	1	1N1673-19080	PACKING,UPR.ROTOR CV	2							
32	1	1N1673-19090	COVER,UPPER ROTOR	2							
33	1	24421-254008	SEAL, OIL TC254008	2							
34	1	1N1600-73590	BOLT W/SP,SM.PRECORD	6							
35	1	1N1689-19020	PACKING,OIL CAP	1							
36	1	1N1689-19010	CAP,OIL	1							
37	1	26717-100002	NUT, M10	1							
38	1	26117-100654	BOLT, M10X 65 PLATED	1							
39	1	1N1610-70020	PACKING,AUGER GR.CS.	1							
40	1	22351-060016	PIN, SPRING 6.0X16	2							
41	1	1N1600-73590	BOLT W/SP,SM.PRECORD	6							
42	1	1N1763-19060	HOUSING,INPUT	1							
43	1	22252-000450	RING, 45	1							
44	1	1N1610-70070	PLATE,PROTECTIVE	1							
45	1	24421-254008	SEAL, OIL TC254008	1							
46	1	24101-060054	BEARING, BALL 6005	1							
47	1	1N3243-29010	GEAR M3X14,BEVEL	1							
48	1	1N1600-77730	BEARING 60/28	1							
49	1	1N1763-29050	WASHER 28X40X2,THRST	1							
50	1	22242-000280	RING, 28	1							
51	1	1N1600-72000	KEY 7X7X33 SS,FEATHR	1							

Fig.7. GEAR CASE

(A)=YSR3340A ,PQ

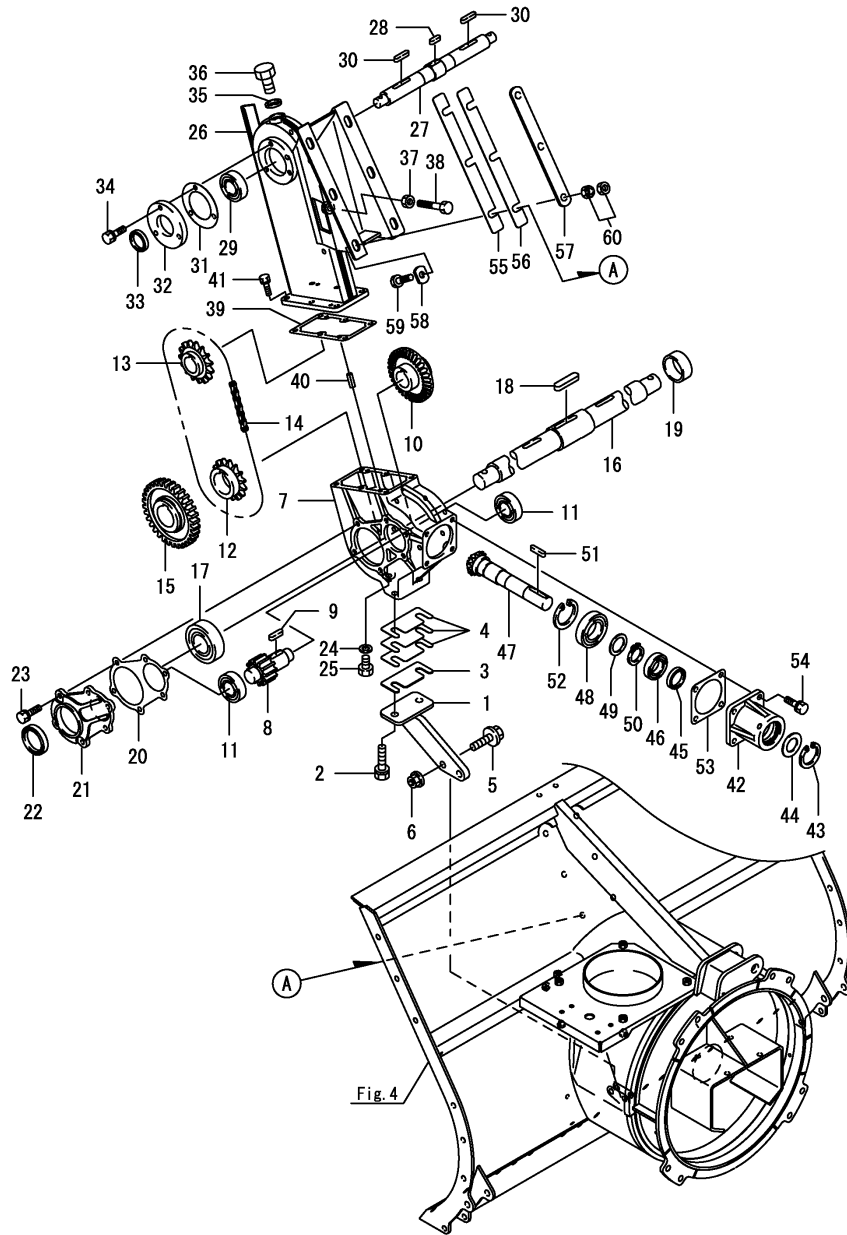
(B)=

(C)=

(D)=

(E)=

(F)=



No.	Lev.	Parts No.	Description	Qty						I	R
				(A)	(B)	(C)	(D)	(E)	(F)		
52	1	22252-000520	RING, 52	1							
53	1	1N1610-70040	PACKING,INPUT HOUSG	1							
54	1	1N1600-73590	BOLT W/SP,SM.PRECORD	4							
55	1	1N3763-19010	LINER 1.0,CHN.CS.ADJ	2							
56	1	1N3763-19020	LINER 2.0,CHN.CS.ADJ	5							
57	1	1N1633-19130	WASHER,SPACER	2							
58	1	1N1863-19010	WASHER,CHAIN CASE	6							
59	1	26116-100402	BOLT, M10X 40 PLATED	6							
60	1	1N1600-78920	NUT M10,HARD LOCK	6							

Fig.8. BLOWER

(A)=YSR3340A ,PQ

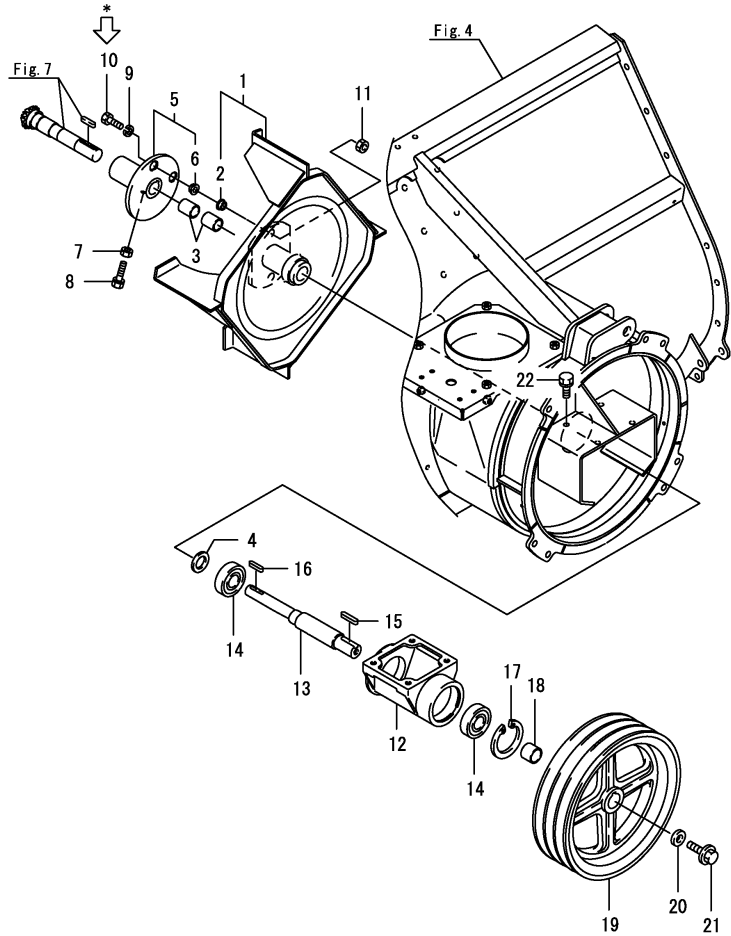
(B)=

(C)=

(D)=

(E)=

(F)=



No.	Lev.	Parts No.	Description	Q'ty						I	R
				(A)	(B)	(C)	(D)	(E)	(F)		
1	1	1N3103-61000	BLOWER COMPL.	1							
2	2	1N1633-59010	BUSH	2							
3	1	1N1600-85590	BUSH	2							
4	1	1N1600-78830	COLLAR 25X4.5	1							
5	1	1N3103-62000	JOINT COMP.,AUGER	1							
6	2	1N1633-59010	BUSH	2							
7	1	26717-100002	NUT, M10	1							
8	1	1N1600-74650	BOLT 10X30,MACHINE	1							
9	1	22217-100000	WASHER, SPRING 10	1							
10	1	26207-100304	BOLT, M10X 30 PLATED	1							
11	1	26707-100002	NUT, M10	1							
12	1	1N3073-69010	CASE,BLOWER BEARING	1							
13	1	1N1600-84240	SHAFT,BLOWER	1							
14	1	24104-063064	BEARING, BALL 6306UU	2							
15	1	1N1600-79400	KEY 8X7X40S	1							
16	1	1N1600-72000	KEY 7X7X33 SS,FEATHR	1							
17	1	22252-000720	RING, 72	1							
18	1	1N1600-84250	COLLAR 30X24	1							
19	1	1N3746-39010	V-PULLEY 284C-3X30	1							
20	1	1N1600-74890	WASHER 10X35X4.5,RD.	1							
21	1	26136-100202	BOLT, M10X 20 PLATED	1							
22	1	26013-100252	BOLT, M10X 25	2							

Remarks
*Safety bolt(Blower)

Fig.9. AUGER

(A)=YSR3340A ,PQ

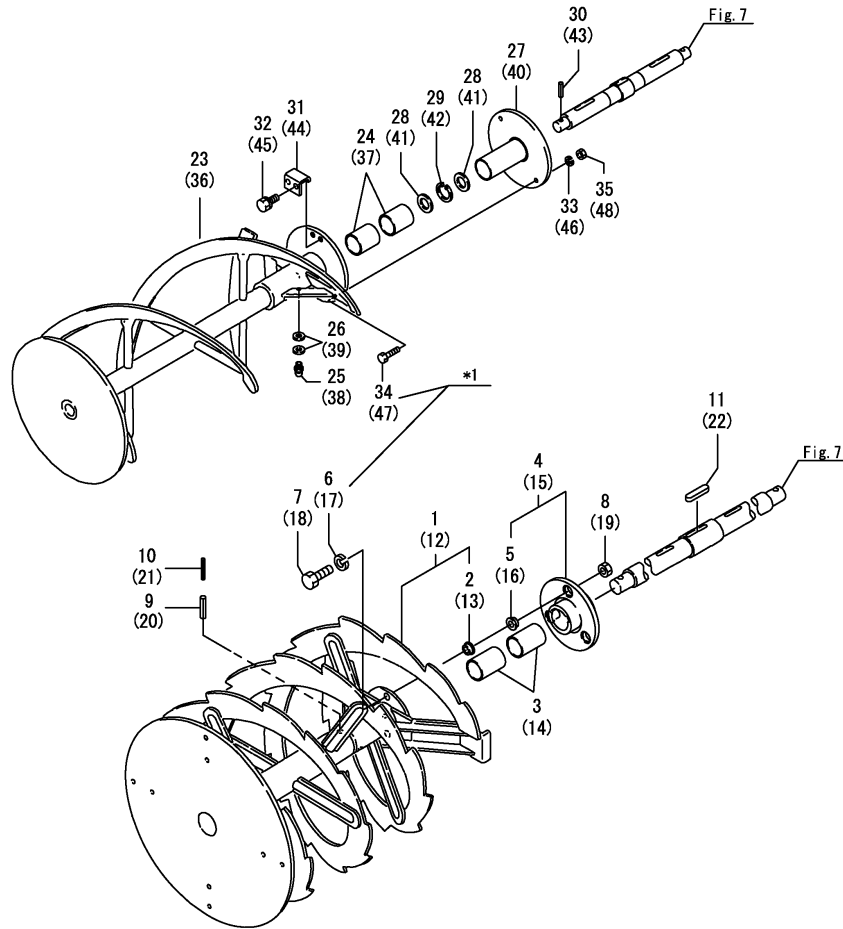
(B)=

(C)=

(D)=

(E)=

(F)=

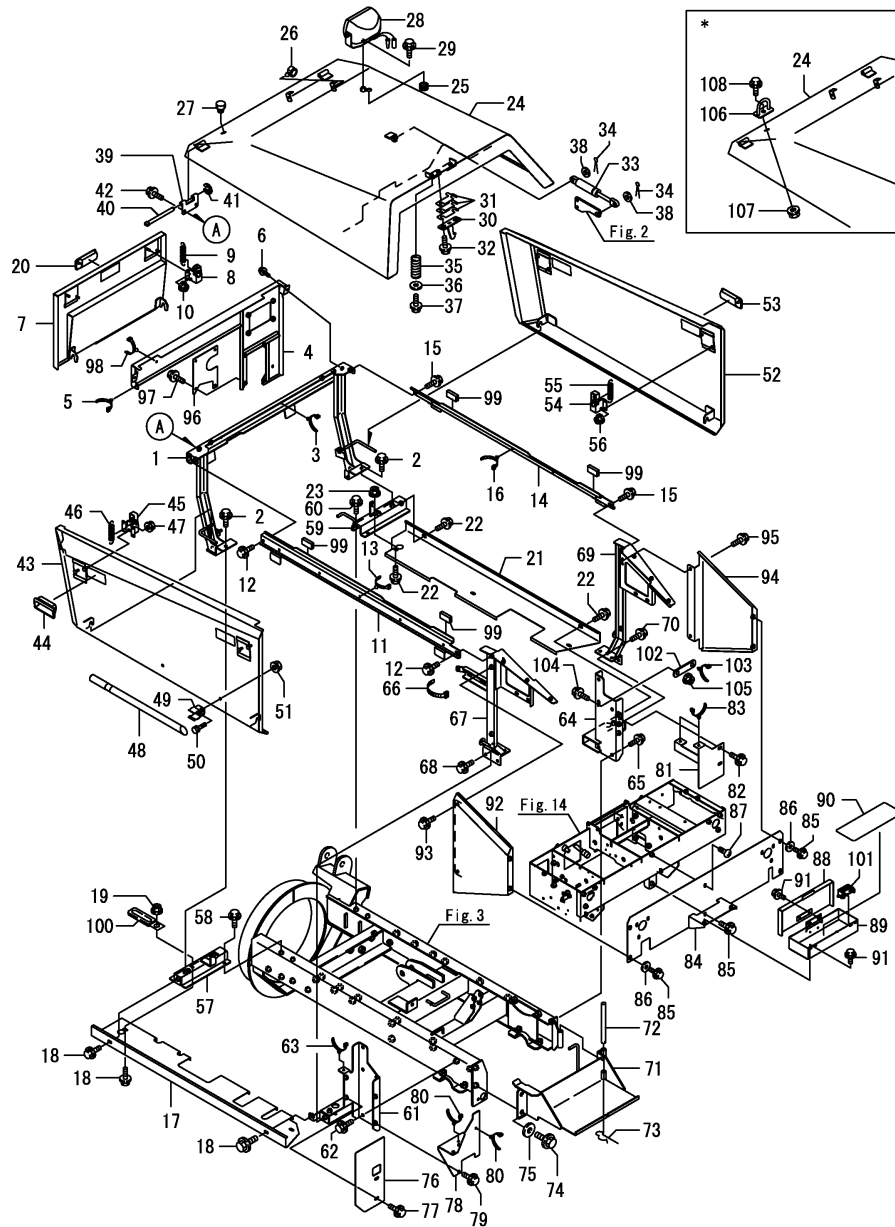


No.	Lev.	Parts No.	Description	Qty						I	R
				(A)	(B)	(C)	(D)	(E)	(F)		
1	1	1N1673-51001	AUGER L,LOWER STAGE	1							
2	2	1N1633-59010	BUSH	2							
3	1	1N1600-85600	BUSH	2							
4	1	1N3973-55000	FLANGE CMP,AUGER	1							
5	2	1N1633-59010	BUSH	3							
6	1	22217-100000	WASHER, SPRING 10	1							
7	1	26207-100304	BOLT, M10X 30 PLATED	1							
8	1	26707-100002	NUT, M10	1							
9	1	22351-100045	PIN, SPRING 10.0X45	1							
10	1	1N1600-72790	PIN, SPRING	1							
11	1	1N1600-72080	KEY 10X8X40 RR,FTHR.	1							
12	1	1N3763-52000	AUGER R,LOWER STAGE	1							
13	2	1N1633-59010	BUSH	2							
14	1	1N1600-85600	BUSH	2							
15	1	1N3973-55000	FLANGE CMP,AUGER	1							
16	2	1N1633-59010	BUSH	3							
17	1	22217-100000	WASHER, SPRING 10	1							
18	1	26207-100304	BOLT, M10X 30 PLATED	1							
19	1	26707-100002	NUT, M10	1							
20	1	22351-100045	PIN, SPRING 10.0X45	1							
21	1	1N1600-72790	PIN, SPRING	1							
22	1	1N1600-72080	KEY 10X8X40 RR,FTHR.	1							
23	1	1N3763-53000	AUGER L CMP,UPPR.STG	1							
24	1	1N1600-85610	BUSH	2							
25	1	1N1600-75150	NIPPLE A-MT6X1,GRS.	1							
26	1	22137-060000	WASHER, 6	2							
27	1	1N3243-51000	FLANGE,UPR.STG.SHEAR	1							
28	1	1N1600-78980	WASHER 18X30X3.2,RD.	2							
29	1	22252-000300	RING, 30	1							
30	1	22351-060025	PIN, SPRING 6.0X25	1							
31	1	1N1633-59030	STOPPER	1							
32	1	26013-080122	BOLT, M8X 12	2							
33	1	22217-060000	WASHER, SPRING 6	1							
34	1	26117-060254	BOLT M 6X 25 PLATED	1							
35	1	26717-060002	NUT, M6	1							
36	1	1N3763-54000	AUGER R CMP,UPPR.STG	1							
37	1	1N1600-85610	BUSH	2							
38	1	1N1600-75150	NIPPLE A-MT6X1,GRS.	1							
39	1	22137-060000	WASHER, 6	2							
40	1	1N3243-51000	FLANGE,UPR.STG.SHEAR	1							
41	1	1N1600-78980	WASHER 18X30X3.2,RD.	2							
42	1	22252-000300	RING, 30	1							
43	1	22351-060025	PIN, SPRING 6.0X25	1							
44	1	1N1633-59030	STOPPER	1							
45	1	26013-080122	BOLT, M8X 12	2							
46	1	22217-060000	WASHER, SPRING 6	1							
47	1	26117-060254	BOLT M 6X 25 PLATED	1							
48	1	26717-060002	NUT, M6	1							

Remarks
*1.Safety bolt(Auger)

N:Old $\xrightarrow{\text{Yes}}$ New, Q:Old $\xrightarrow{\text{No}}$ New, R:Old $\xrightarrow{\text{Yes}}$ New, S:Old $\xrightarrow{\text{No}}$ New, W:Add, Z:Discontinued, F:Interchangeable by set, K:Qty Change

Fig.10. COVER



(A)=YSR3340A ,PQ

(B)=

(C)=

(D)=

(E)=

(F)=

No.	Lev.	Parts No.	Description	Qty						I	R
				(A)	(B)	(C)	(D)	(E)	(F)		
1	1	1N3974-84000	FRAME CMP,FRONT	1							
2	1	26106-080162	BOLT, M8X 16 PLATED	4							
3	1	1N1600-81590	CLIP 1-19P7,CABLE	2							
4	1	7N3974-91000	COVER,FRONT,UPPER PL	1							
5	1	1N1600-79020	STRAP 1-1W02,CABLE	1							
6	1	26106-060122	BOLT, M6X 12 PLATED	3							
7	1	1N3974-92000	COVER CMP,UNDER	1							
8	1	1N3974-95000	STOPPER CMP,COVER	2							
9	1	1N3249-16020	SPRING 9.5X42,COILED	2							
10	1	26367-060002	NUT, M6	4							
11	1	1N3974-71000	FRAME CMP,L SIDE	1							
12	1	26106-080162	BOLT, M8X 16 PLATED	2							
13	1	1N1600-81590	CLIP 1-19P7,CABLE	4							
14	1	1N3974-72000	FRAME CMP,R SIDE	1							
15	1	26106-080162	BOLT, M8X 16 PLATED	2							
16	1	1N1600-81590	CLIP 1-19P7,CABLE	3							
17	1	7N3974-89030	COVER,UNDER L PLASY	1							
18	1	26106-080162	BOLT, M8X 16 PLATED	4							
19	1	26367-080002	NUT, M8	2							
20	1	1N1600-85710	EMBEDDED PULL	1							
21	1	7N3974-89040	COVER,UNDER R PLASY	1							
22	1	26106-080162	BOLT, M8X 16 PLATED	5							
23	1	26367-080002	NUT, M8	3							
24	1	1N3974-81000	HOOD CMP	1							
25	1	1N1600-74140	BUSH BSB-21,RUBBER	1							
26	1	1N1600-81440	CLIP C-4397,CABLE	2							
27	1	1N1600-84400	PLUG 18,HOLE	1							
28	1	1N1600-82990	LIGHT ASSY,18W	1							
29	1	26136-100202	BOLT, M10X 20 PLATED	1							
30	1	1N3767-68000	HOOK COMPL..	1							
31	1	1N3243-19020	SIM	3							
32	1	26106-080162	BOLT, M8X 16 PLATED	2							
33	1	1N3244-00010	DAMPER 084603,GAS	1							
34	1	22417-250150	COTTER PIN 2.5X15	2							
35	1	1N3249-16030	SPRING,BONNET	1							
36	1	22157-060000	WASHER, 6	1							
37	1	26106-060162	BOLT, M6X 16 PLATED	1							
38	1	22137-080000	WASHER, 8	2							
39	1	1N3974-99010	HINGE,HOOD	2							
40	1	1N3974-99020	PIN,HINGE	2							
41	1	22272-000070	RING, E- 7	2							
42	1	26106-080162	BOLT, M8X 16 PLATED	4							
43	1	1N3974-93000	COVER CMP,L SIDE	1							
44	1	1N1600-85710	EMBEDDED PULL	2							
45	1	1N3884-88000	STOPPER CMP.,SD.CVR.	2							
46	1	1N3249-16020	SPRING 9.5X42,COILED	2							
47	1	26367-060002	NUT, M6	4							
48	1	1N1710-71072	ROD,SNOW SHOVELING	1							
49	1	1N1803-99020	METAL,LOCK	2							
50	1	26116-080162	BOLT, M8X 16 PLATED	2							
51	1	26367-080002	NUT, M8	2							

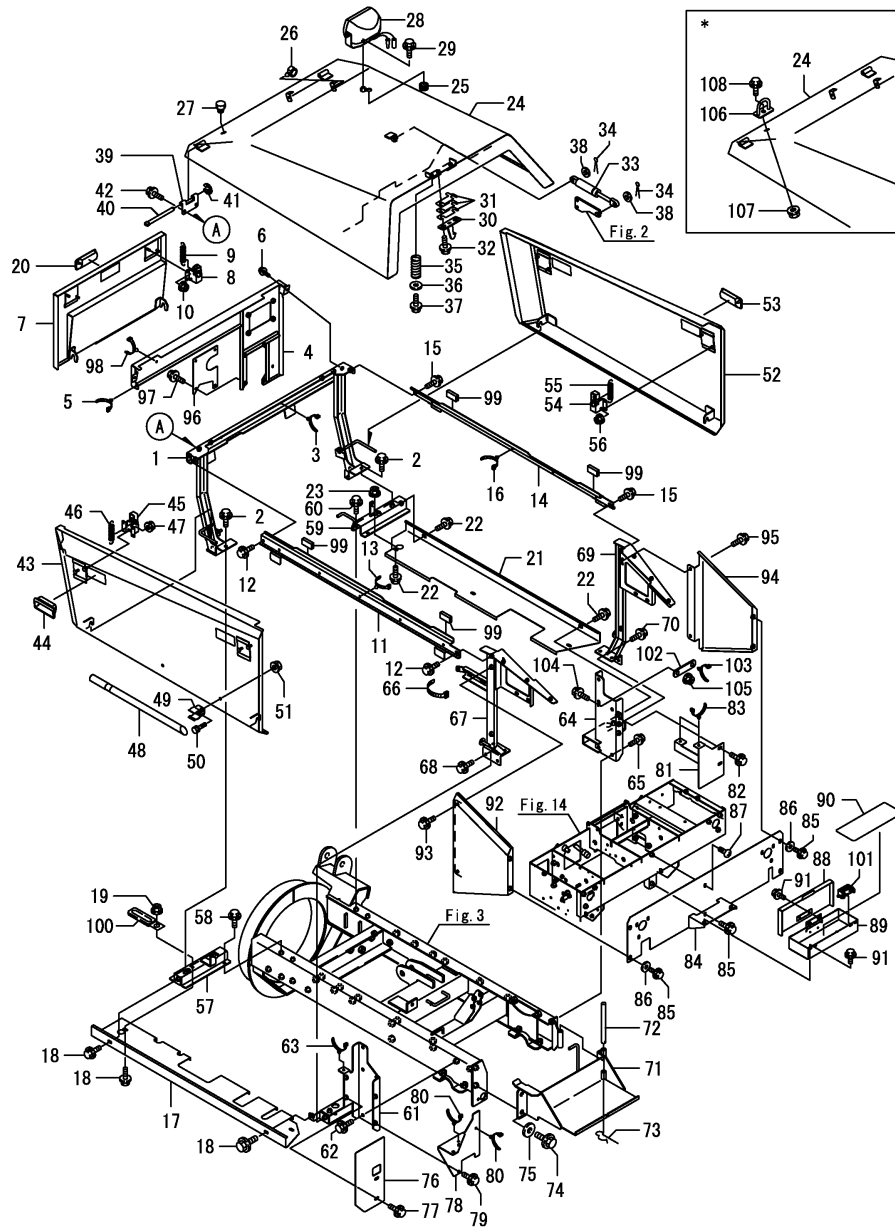
Remarks

*Slide chut specification.

N:Old $\begin{matrix} \text{Yes} \\ \text{No} \end{matrix}$ New, Q:Old $\begin{matrix} \text{No} \\ \text{Yes} \end{matrix}$ New, R:Old $\begin{matrix} \text{Yes} \\ \text{No} \end{matrix}$ New, S:Old $\begin{matrix} \text{No} \\ \text{Yes} \end{matrix}$ New, W:Add, Z:Discontinued, F:Interchangeable by set, K:Q'ty Change

++ CONTINUE ++

Fig.10. COVER



(A)=YSR3340A ,PQ

(B)=

(C)=

(D)=

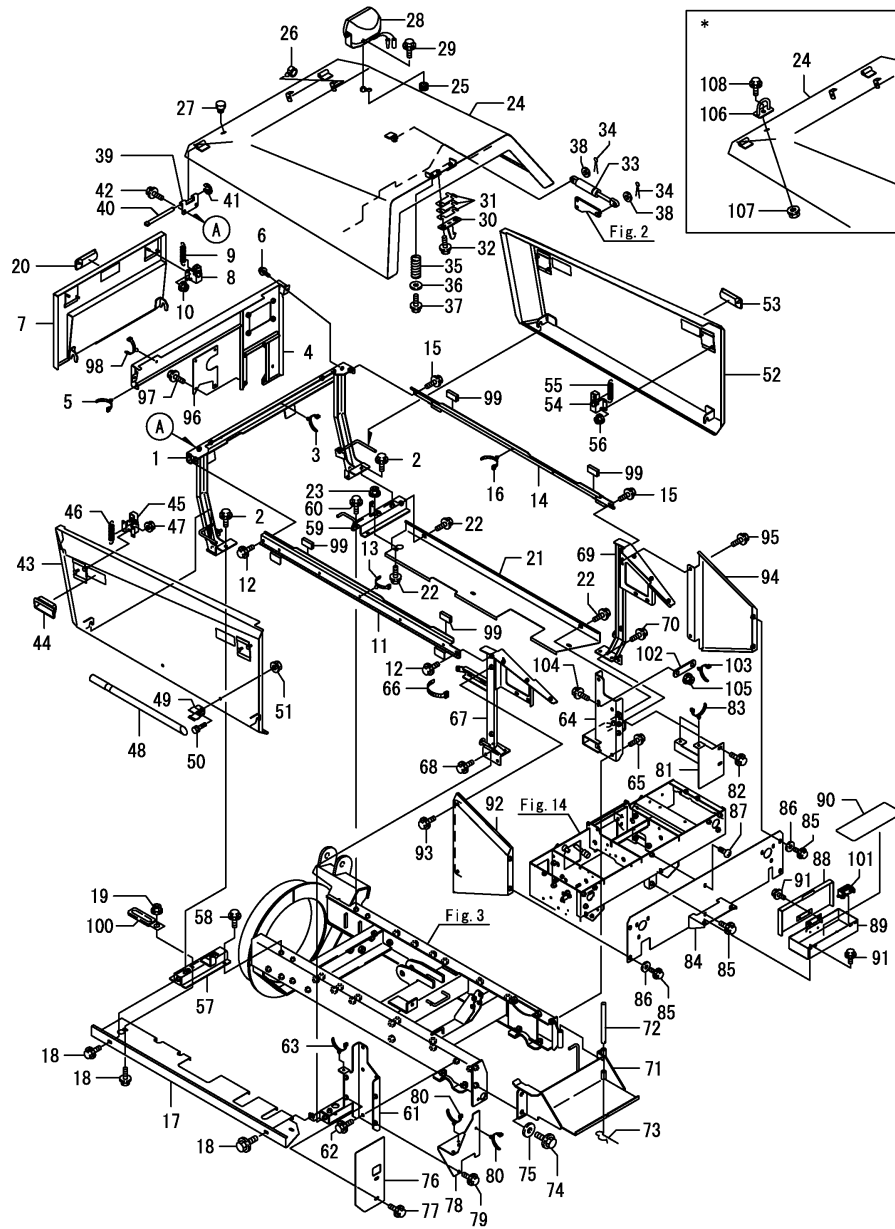
(E)=

(F)=

No.	Lev.	Parts No.	Description	Q'ty						I	R
				(A)	(B)	(C)	(D)	(E)	(F)		
52	1	1N3974-94000	COVER CMP,R SIDE	1							
53	1	1N1600-85710	EMBEDDED PULL	2							
54	1	1N3884-88000	STOPPER CMP.,SD.CVR.	2							
55	1	1N3249-16020	SPRING 9.5X42,COILED	2							
56	1	26367-060002	NUT, M6	4							
57	1	1N3974-82000	STAY CMP,L COVER	1							
58	1	26106-080162	BOLT, M8X 16 PLATED	2							
59	1	1N3974-83000	STAY CMP,R COVER	1							
60	1	26106-080162	BOLT, M8X 16 PLATED	2							
61	1	1N3974-12000	BRACKET CMP,L PANEL	1							
62	1	26136-100252	BOLT, M10X 25 PLATED	2							
63	1	1N1600-81590	CLIP 1-19P7,CABLE	1							
64	1	1N3974-13000	BRACKET CMP,R PANEL	1							
65	1	26136-100252	BOLT, M10X 25 PLATED	2							
66	1	1N1600-74330	TIE RF250,REPEAT	1							
67	1	1N3974-85000	FRAME CMP,L COVER	1							
68	1	26106-080162	BOLT, M8X 16 PLATED	2							
69	1	1N3974-86000	FRAME CMP,R COVER	1							
70	1	26106-080162	BOLT, M8X 16 PLATED	2							
71	1	1N3764-14000	BASE COMP.,BATTERY	1							
72	1	1N1600-79480	PIN 12X140,PRESSED	1							
73	1	22372-120000	PIN, SNAP 12	1							
74	1	26136-100252	BOLT, M10X 25 PLATED	2							
75	1	22157-100000	WASHER, 10	2							
76	1	1N3974-89050	COVER,FL REAR	1							
77	1	26106-080162	BOLT, M8X 16 PLATED	2							
78	1	1N3974-89060	COVER,RL REAR	1							
79	1	26106-080162	BOLT, M8X 16 PLATED	2							
80	1	1N1600-81590	CLIP 1-19P7,CABLE	2							
81	1	1N3764-98000	COVER,RR REAR	1							
82	1	26106-080162	BOLT, M8X 16 PLATED	2							
83	1	1N1600-79020	STRAP 1-1W02,CABLE	2							
84	1	1N3974-97000	COVER CMP,REAR	1							
85	1	26106-080162	BOLT, M8X 16 PLATED	5							
86	1	22157-080000	WASHER, 8	4							
87	1	1N1600-84590	TRUSS SCREW, 8X16	1							
88	1	1N3974-22000	COVER CMP,TOOL BOX	1							
89	1	1N3974-21000	BOX CMP,TOOL	1							
90	1	1N3734-29010	SEAT, RUBBER	1							
91	1	26106-060122	BOLT, M6X 12 PLATED	4							
92	1	1N3974-87000	COVER CMP,L REAR	1							
93	1	26106-080162	BOLT, M8X 16 PLATED	2							
94	1	1N3974-88000	COVER CMP,R REAR	1							
95	1	26106-080162	BOLT, M8X 16 PLATED	2							
96	1	1N3974-89070	PLATE,FRONT GUARD	1							
97	1	26106-060122	BOLT, M6X 12 PLATED	4							
98	1	1N1600-79030	CLIP C-1E50,CABLE	1							
99	1	1N3734-89030	RUBBER 12X25	4							
100	1	1N1600-75120	CLAMP 8X80,CORD	1							
101	1	1N3974-29010	MAGNET CATCH C-931	2							
102	1	1N3978-29020	STAY,HARNES	1							

Remarks
*Slide chut specification.

Fig.10. COVER



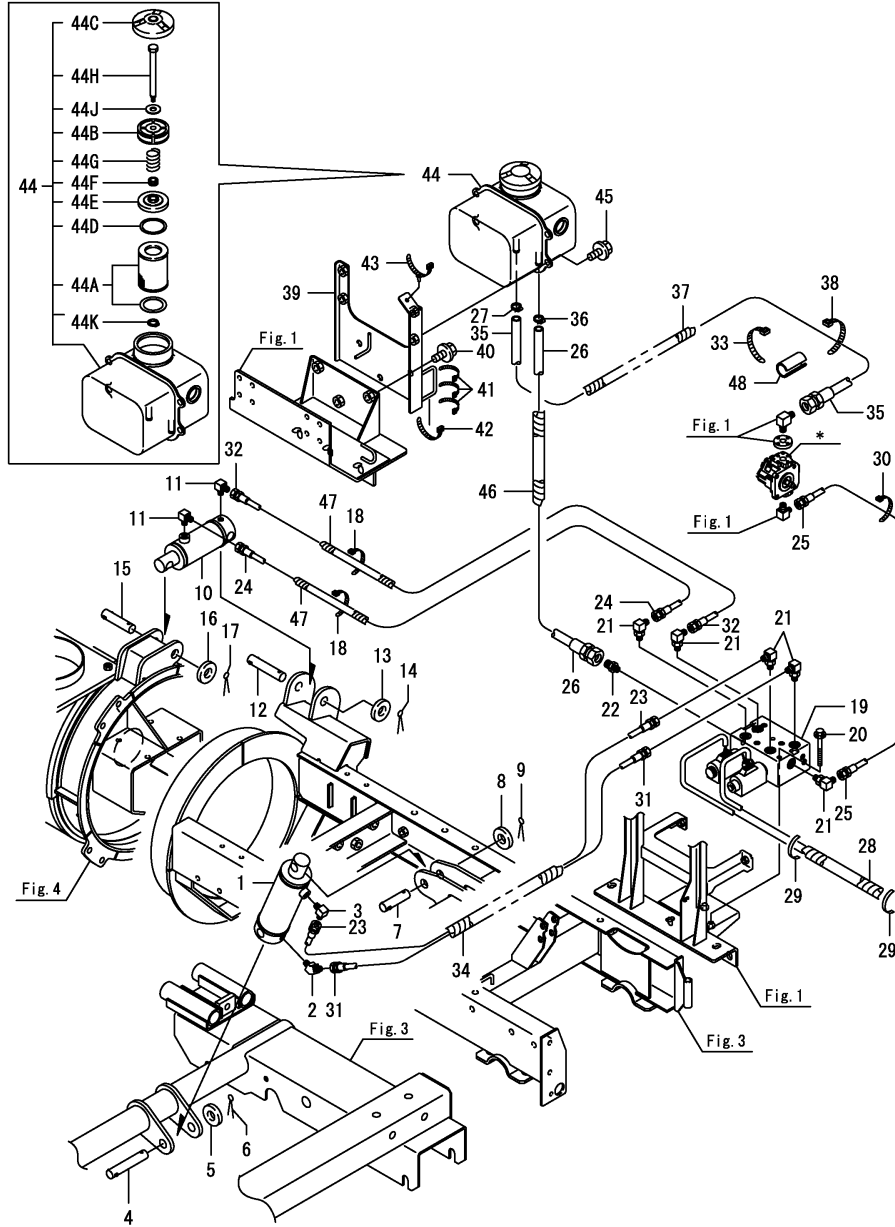
(A)=YSR3340A ,PQ
(B)=
(C)=

(D)=
(E)=
(F)=

No.	Lev.	Parts No.	Description	Q'ty						I	R
				(A)	(B)	(C)	(D)	(E)	(F)		
103	1	1N1600-81590	CLIP 1-19P7,CABLE	1							
104	1	26106-080162	BOLT, M8X 16 PLATED	1							
105	1	26367-080002	NUT, M8	1							
106	1	1N3764-21000	CLAMP COMP.,HARNESS	1							
107	1	26367-080002	NUT, M8	1							
108	1	26106-080162	BOLT, M8X 16 PLATED	1							

Remarks
*Slide chut specification.

Fig.11. HYDRAULIC PIPING



(A)=YSR3340A ,PQ

(B)=

(C)=

(D)=

(E)=

(F)=

No.	Lev.	Parts No.	Description	Q'ty						I	R
				(A)	(B)	(C)	(D)	(E)	(F)		
1	1	1N3765-00010	CYLINDER 60X115,HYD.	1							
2	1	1N1600-74340	ELBOW 45 302404	1							
3	1	1N1600-75020	ELBOW 90 302204	1							
4	1	1N1600-74670	PIN 20X110,SLOTTED	1							
5	1	22137-200000	WASHER, 20	1							
6	1	22417-400320	PIN, COTTER 4.0X32	1							
7	1	1N1600-74380	PIN 20X75	1							
8	1	22137-200000	WASHER, 20	1							
9	1	22417-400320	PIN, COTTER 4.0X32	1							
10	1	1N3765-00020	CYLINDER 50X60,HYD.	1							
11	1	1N1600-75020	ELBOW 90 302204	2							
12	1	1N1600-74660	PIN 20X100,SLOTTED	1							
13	1	22137-200000	WASHER, 20	1							
14	1	22417-400320	PIN, COTTER 4.0X32	1							
15	1	1N1600-77590	PIN 20X85,LUGGED	1							
16	1	22137-200000	WASHER, 20	1							
17	1	22417-400320	PIN, COTTER 4.0X32	1							
18	1	1N1600-77210	TIE RF140,REPEAT	2							
19	1	1N3745-21000	VALVE, SOLENOID	1							
20	1	26106-080802	BOLT, M8X 80 PLATED	2							
21	1	1N3245-19010	ELBOW PF1/4XPF1/4	5							
22	1	1N3745-19010	JOINT PF1/4XPF3/8	1							
23	1	1N1600-79080	HOSE 1/4X750,HYDRLC.	1							
24	1	1N1600-79100	HOSE 1/4X900,HYDRLC.	1							
25	1	1N1600-84460	HOSE 1/4X650,HYDRLC.	1							
26	1	1N3765-71000	HOSE 400,HYDRAULIC	1							
27	1	1N1600-77310	BAND 19,UNIVERSAL	1							
28	1	1N1600-84420	TUBE 13X150,CORRUGA.	1							
29	1	1N1600-84410	TAPE 100,VINYL	2							
30	1	1N1600-77210	TIE RF140,REPEAT	1							
31	1	1N1600-81550	HOSE 1/4X700,HYDRLC.	1							
32	1	1N1600-79090	HOSE 1/4X800,HYDRLC.	1							
33	1	1N1600-74330	TIE RF250,REPEAT	1							
34	1	1N1600-84440	CORRUGATE 25X300	1							
35	1	1N3745-71000	HOSE 600,HYDRAULIC	1							
36	1	1N1600-77310	BAND 19,UNIVERSAL	1							
37	1	1N1600-85850	CORRUGATE 22X400	1							
38	1	1N1600-74330	TIE RF250,REPEAT	1							
39	1	1N3765-11000	STAY COMP., OIL TANK	1							
40	1	26136-120202	BOLT, M12X 20 PLATED	3							
41	1	1N1600-77210	TIE RF140,REPEAT	3							
42	1	1N1600-74330	TIE RF250,REPEAT	1							
43	1	1N1600-81590	CLIP 1-19P7,CABLE	1							
44	1	1N3745-22000	TANK, LUB OIL	1							
44A	2	1N3745-22100	FILTER	1							
44B	2	1N3745-22200	SEPARATOR	1							
44C	2	1N3745-22300	CAP,TANK	1							
44D	2	1N3745-22910	GASKET,CAP	1							
44E	2	1N3745-22920	CAP, FILTER	1							
44F	2	1N3745-22930	BUSH, RUBBER	1							
44G	2	1N3745-22940	SPRING	1							

Remarks

*Engine parts.

Fig.11. HYDRAULIC PIPING

(A)=YSR3340A ,PQ

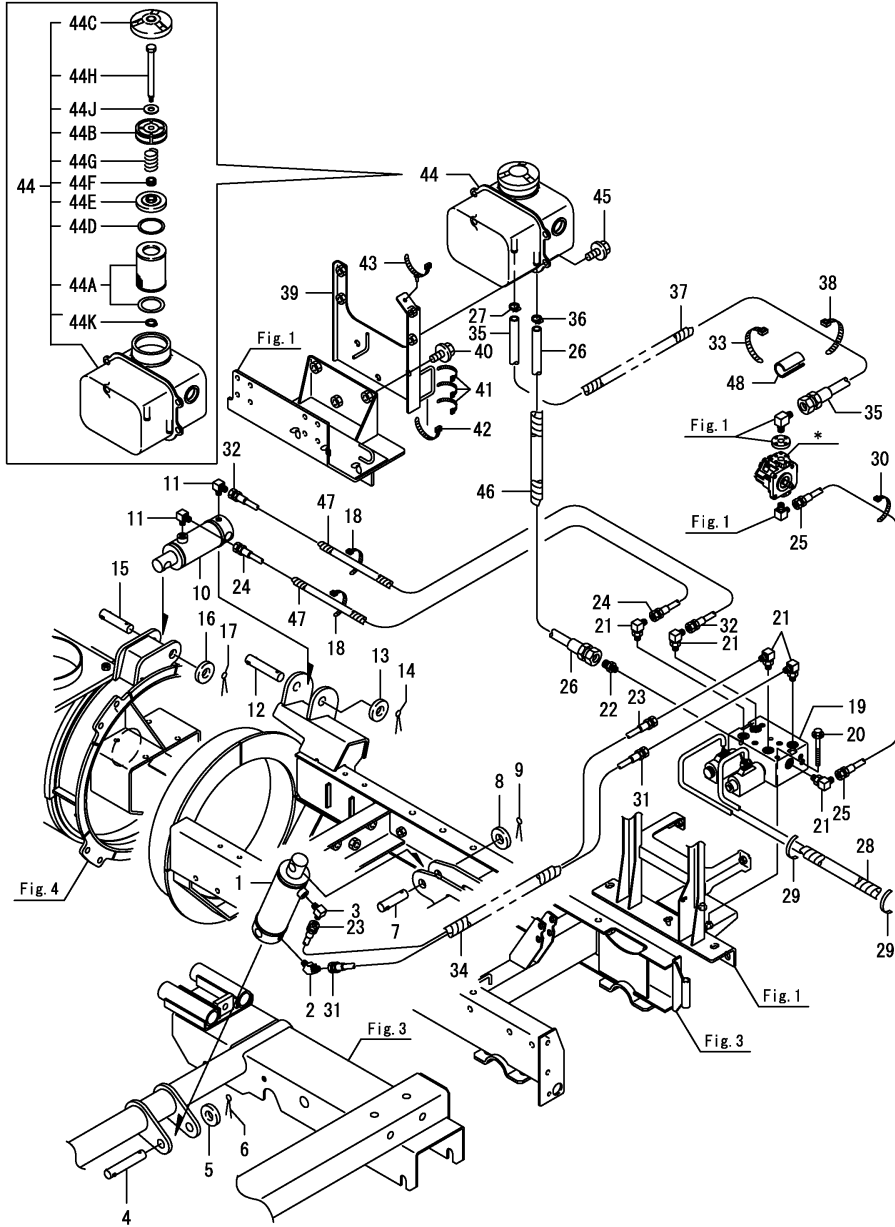
(B)=

(C)=

(D)=

(E)=

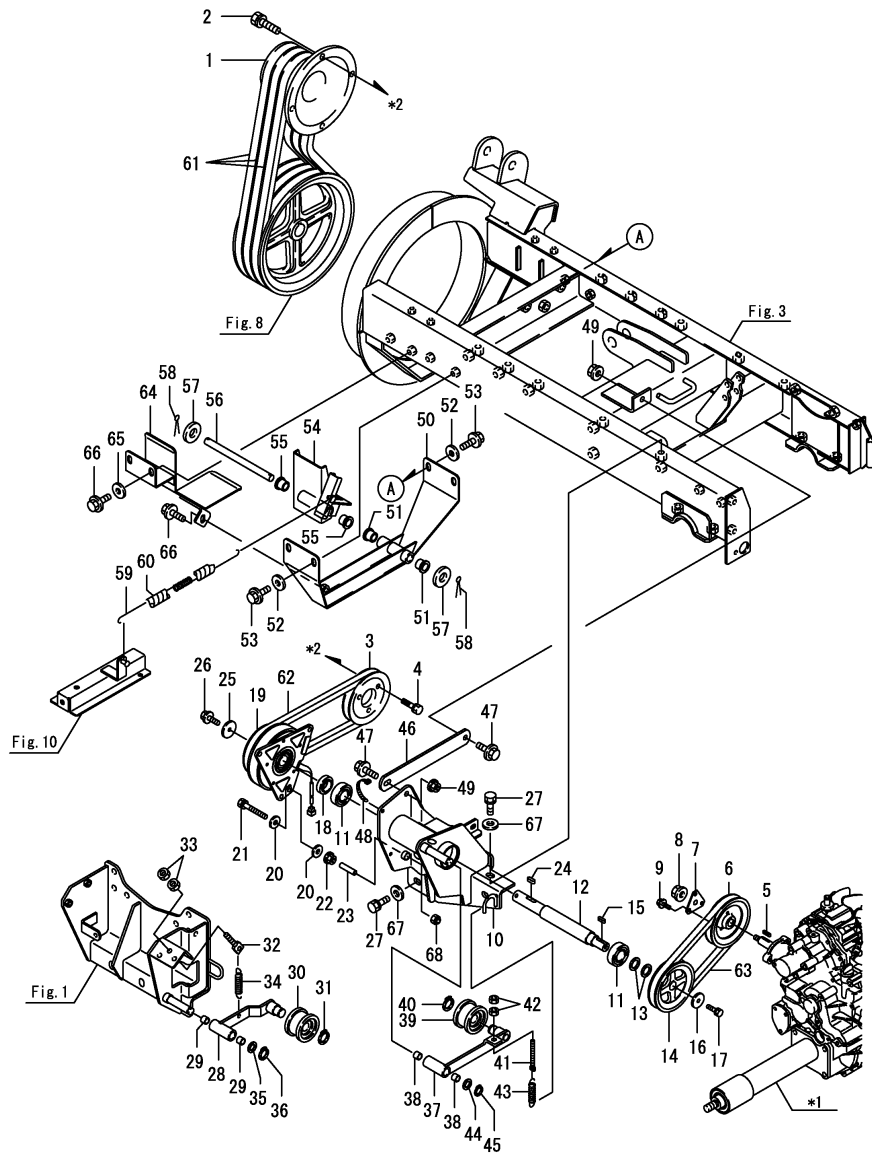
(F)=



No.	Lev.	Parts No.	Description	Q'ty						I	R
				(A)	(B)	(C)	(D)	(E)	(F)		
44H	2	1N3745-22950	BOLT	1							
44J	2	1N3745-22960	WASHER	1							
44K	2	22242-000120	RING, 12	1							
45	1	26136-120202	BOLT, M12X 20 PLATED	4							
46	1	1N1600-84080	TUBE, CONVOLUTED	1							
47	1	1N1600-85630	CORRUGATE 15X450	2							
48	1	1N3242-19050	RUBBER 50X50X3.0	1							

Remarks
*Engine parts.

Fig.12. POWER TRANSMISSION(1)



(A)=YSR3340A ,PQ

(B)=

(C)=

(D)=

(E)=

(F)=

No.	Lev.	Parts No.	Description	Q'ty						I	R
				(A)	(B)	(C)	(D)	(E)	(F)		
1	1	1N3760-29010	PULLEY,ENGINE BLOWER	1							
2	1	26013-120302	BOLT, M12X 30	3							
3	1	1N3490-29020	PULLEY,ENG	1							
4	1	26013-100302	BOLT, M10X 30	3							
5	1	1N1600-84780	KEY,5X5X22RR	1							
6	1	1N3746-39020	PULLEY,INPUT HST	1							
7	1	1N3741-69010	PLATE ,FIXING	1							
8	1	26377-100002	NUT, M10	1							
9	1	26106-060162	BOLT, M6X 16 PLATED	3							
10	1	1N3766-11000	BASE COMP.,TENSION	1							
11	1	24104-062054	BEARING, BALL 6205UU	2							
12	1	1N3766-49010	SHAFT, COUNTER	1							
13	1	1N1600-78990	WASHER 20X30X2.3,RD.	2							
14	1	1N3246-39020	V-PULLEY 113BX20	1							
15	1	1N1600-79700	KEY 6X6X20S	1							
16	1	1N1600-80570	WASHER 8X35X4.5,RD.	1							
17	1	1N1600-73590	BOLT W/SP,SM.PRECORD	1							
18	1	1N3496-49020	COLLAR,COUNTER SHAFT	1							
19	1	1N3496-71000	CLUTCHCMP; ELECTLIC	1							
20	1	22157-080000	WASHER, 8	2							
21	1	26116-080554	BOLT, M8X 55 PLATED	1							
22	1	26367-080002	NUT, M8	1							
23	1	1N1600-84140	TUBE,PVC	1							
24	1	22551-070200	KEY, 7X 20	1							
25	1	1N1600-82910	WASHER,8X40X4.5	1							
26	1	1N1600-73590	BOLT W/SP,SM.PRECORD	1							
27	1	26013-120302	BOLT, M12X 30	5							
28	1	1N3746-62000	ARM A COMP.,TENSION	1							
29	1	1N1600-85640	BUSH	2							
30	1	1N1600-84490	PULLEY 70TB2,TENSION	1							
31	1	22242-000200	RING, 20	1							
32	1	1N1636-59010	SCREW,TENSION ADJUST	1							
33	1	26717-080002	NUT, M8	2							
34	1	1N1619-16010	SPRING, TENSION	1							
35	1	1N1600-78970	WACHER 15X25X2.3	1							
36	1	22242-000150	RING, 15	1							
37	1	1N3746-63000	ARM B COMP.,TENSION	1							
38	1	1N1600-85640	BUSH	2							
39	1	1N1600-84490	PULLEY 70TB2,TENSION	1							
40	1	22242-000200	RING, 20	1							
41	1	1N1600-84290	ROD,TENSION	1							
42	1	26717-080002	NUT, M8	2							
43	1	1N1619-16010	SPRING, TENSION	1							
44	1	1N1600-78970	WACHER 15X25X2.3	1							
45	1	22242-000150	RING, 15	1							
46	1	1N3766-19010	SUPPORT,TENSION BASE	1							
47	1	26136-100252	BOLT, M10X 25 PLATED	2							
48	1	1N1600-77210	TIE RF140,REPEAT	1							
49	1	26377-100002	NUT, M10	2							
50	1	1N3746-51000	BRACKET COMP.,BRAKE	1							
51	1	1N1600-84530	BUSH 80F-1515,FLANGE	2							

Remarks

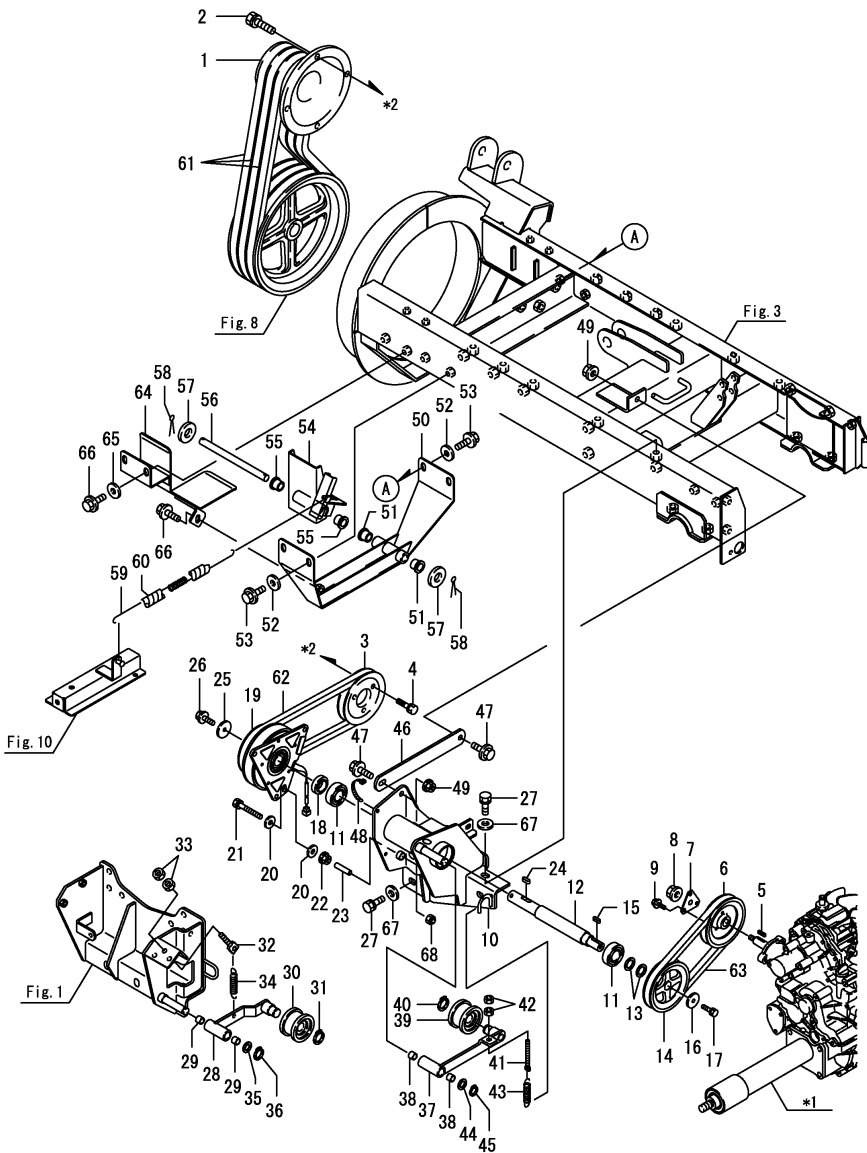
*1.Mission.

*2. To engine.

N:Old $\xrightarrow{\text{Yes}}$ New, Q:Old $\xrightarrow{\text{No}}$ New, R:Old $\xrightarrow{\text{Yes}}$ New, S:Old $\xrightarrow{\text{No}}$ New, W:Add, Z:Discontinued, F:Interchangeable by set, K:Q'ty Change

++ CONTINUE ++

Fig.12. POWER TRANSMISSION(1)



(A)=YSR3340A ,PQ
(B)=
(C)=

(D)=
(E)=
(F)=

No.	Lev.	Parts No.	Description	Qty						I	R
				(A)	(B)	(C)	(D)	(E)	(F)		
52	1	22157-100000	WASHER, 10	4							
53	1	26136-100202	BOLT, M10X 20 PLATED	4							
54	1	1N3766-51000	BRAKE COMP.,BLOWER	1							
55	1	1N1600-84530	BUSH 80F-1515,FLANGE	2							
56	1	1N3746-59010	PIN,BRAKE 15X195	1							
57	1	22137-160000	WASHER, 16	2							
58	1	1N1600-72180	PIN 3X30,COTTER	2							
59	1	1N3746-69011	BRAKE SPRING	1							
60	1	1N1600-83240	TUBE, SPIRAL 15X150	1							
61	1	1N1600-84220	BELT,SC51	3							
62	1	1N1600-81860	BELT SB37	1							
63	1	1N1600-83310	BELT,SB33	1							
64	1	1N3746-56000	STOPPER COMP.,BELT	1							
65	1	22157-100000	WASHER, 10	2							
66	1	26136-100202	BOLT, M10X 20 PLATED	3							
67	1	22137-120000	WASHER, 12	5							
68	1	1N1600-74790	U-NUT 8	1							

Remarks
*1.Mission.
*2. To engine.

Fig.13. POWER TRANSMISSION(2)

(A)=YSR3340A ,PQ

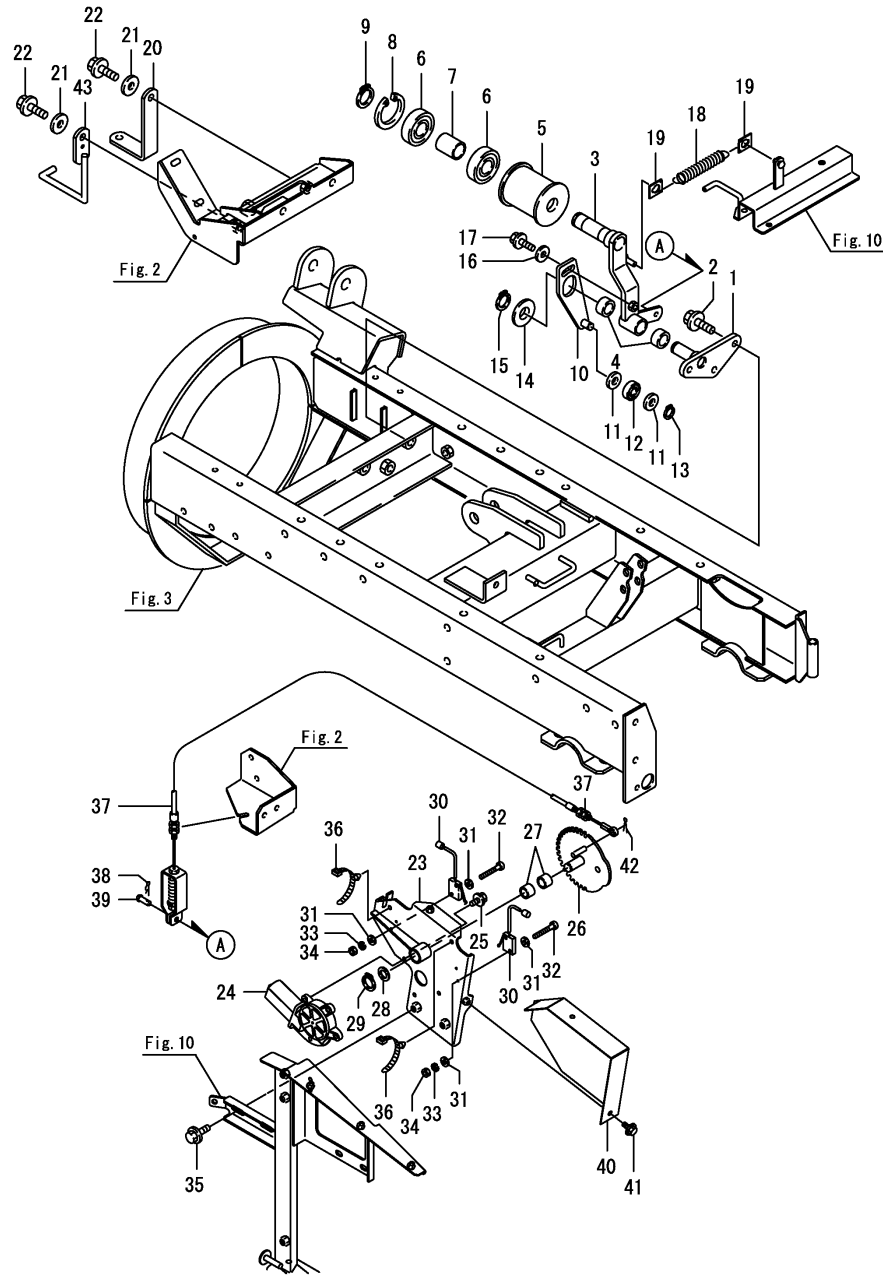
(B)=

(C)=

(D)=

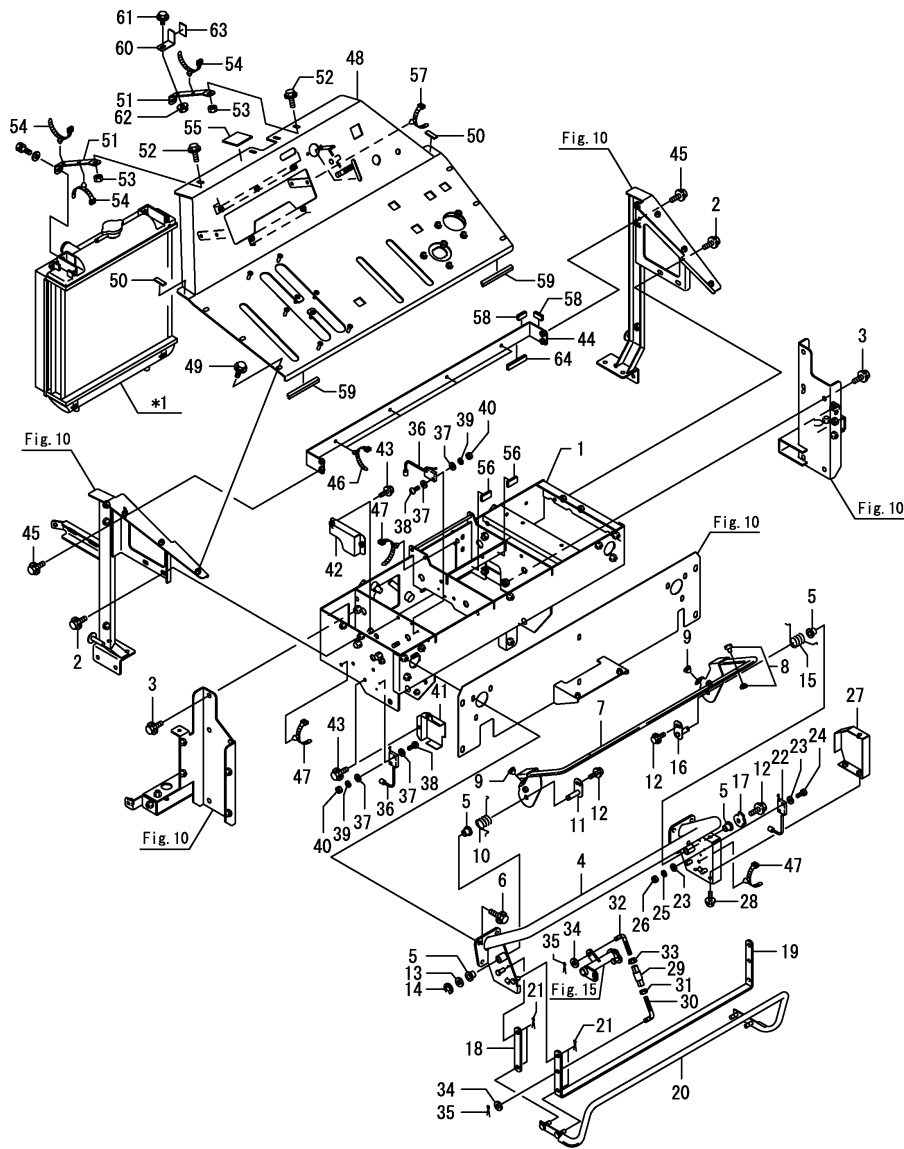
(E)=

(F)=



No.	Lev.	Parts No.	Description	Q'ty						I	R
				(A)	(B)	(C)	(D)	(E)	(F)		
1	1	1N3246-64000	SHAFT CMP.,BLWR.TENS	1							
2	1	26136-100252	BOLT, M10X 25 PLATED	3							
3	1	1N3746-61000	ARM CMP,SNW.RM.CLTCH	1							
4	1	1N1600-85870	BUSH	2							
5	1	1N1600-79250	PULLEY 72-3,TENSION	1							
6	1	24104-063054	BEARING, BALL 6305UU	2							
7	1	1N3246-69010	COLLAR 25X40	1							
8	1	22252-000620	RING, 62	1							
9	1	22242-000250	RING, 25	1							
10	1	1N3766-53000	CAM COMP.,BRAKE	1							
11	1	22137-120000	WASHER, 12	2							
12	1	24104-062014	BEARING, BALL 6201UU	1							
13	1	22242-000120	RING, 12	1							
14	1	22137-200000	WASHER, 20	1							
15	1	22242-000200	RING, 20	1							
16	1	22157-080000	WASHER, 8	1							
17	1	26106-080252	BOLT, M8X 25 PLATED	1							
18	1	1N3736-69020	SPRING, TENSION	1							
19	1	1N3736-69030	HOOK,SPRING	2							
20	1	1N3976-59010	STOPPER,BLOWER BELT	1							
21	1	22157-100000	WASHER, 10	2							
22	1	26136-100202	BOLT, M10X 20 PLATED	2							
23	1	1N3736-65000	BASE COMP.,CLUTCH	1							
24	1	1N3738-11000	MOTOR JC578VA	1							
25	1	26106-060162	BOLT, M6X 16 PLATED	3							
26	1	1N3736-66000	GEAR COMP.,CLUTCH	1							
27	1	1N1600-84550	BUSH 77B-1515	2							
28	1	1N1600-78970	WACHER 15X25X2.3	1							
29	1	22242-000150	RING, 15	1							
30	1	1N3198-31000	SWITCH,CHUTE SWING	2							
31	1	22137-030000	WASHER, 3	8							
32	1	26557-030202	SCREW, M3X20	4							
33	1	22217-030000	WASHER, SPRING 3	4							
34	1	26717-030002	NUT, M3	4							
35	1	26106-080162	BOLT, M8X 16 PLATED	2							
36	1	1N1600-81590	CLIP 1-19P7,CABLE	2							
37	1	1N3767-71000	WIRE,SNW.REMV.CLUTCH	1							
38	1	1N1600-72230	PIN 8,SNAP	1							
39	1	1N1600-79380	PIN 8X22,ROUND HEAD	1							
40	1	1N3736-89010	COVER, CLUTCH	1							
41	1	26106-060122	BOLT, M6X 12 PLATED	2							
42	1	22417-250150	COTTER PIN 2.5X15	1							
43	1	1N3766-58000	BELT, STOPPER L COMP	1							

Fig.14. PANEL & HANDLE



(A)=YSR3340A ,PQ

(B)=

(C)=

(D)=

(E)=

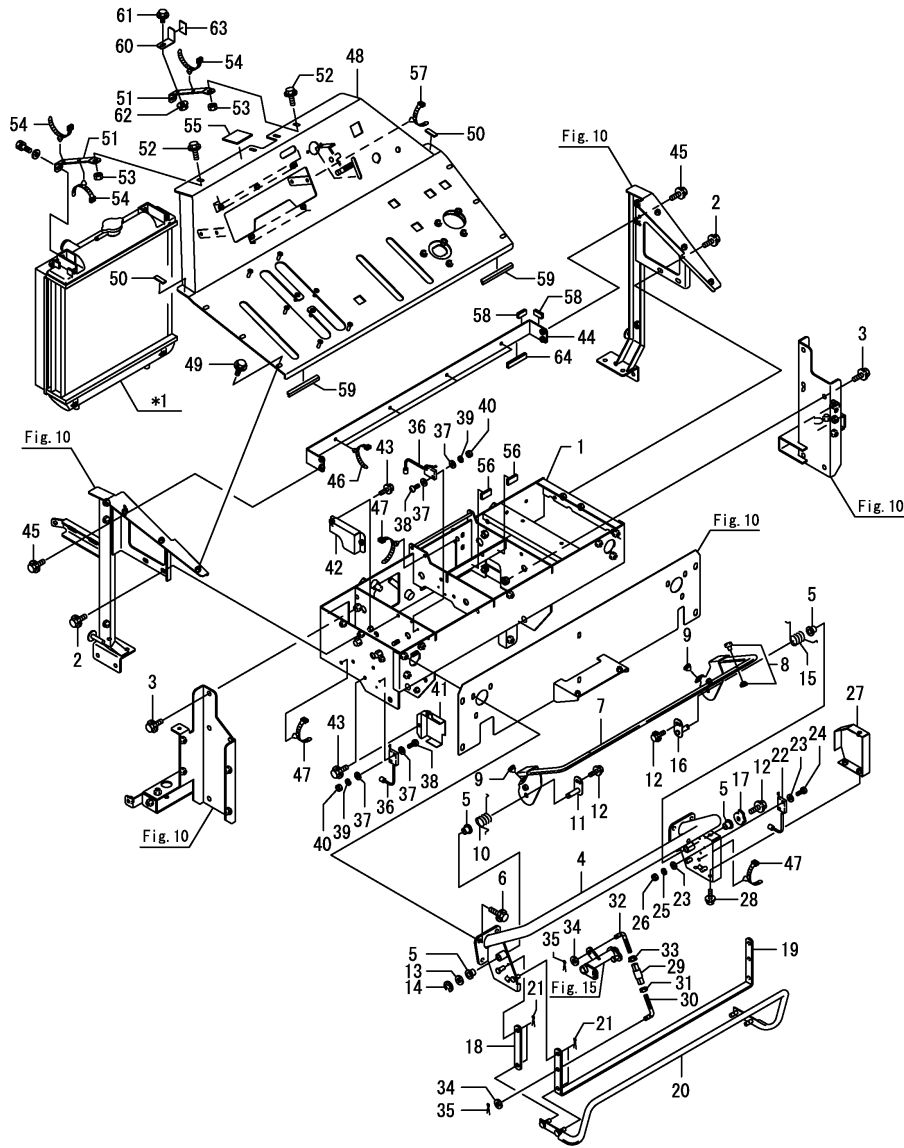
(F)=

No.	Lev.	Parts No.	Description	Qty						I	R
				(A)	(B)	(C)	(D)	(E)	(F)		
1	1	1N3977-22000	BOX COMP,CONTROL	1							
2	1	26106-080162	BOLT, M8X 16 PLATED	4							
3	1	26136-100202	BOLT, M10X 20 PLATED	6							
4	1	1N3767-24000	HANDLE COMPL.	1							
5	1	1N1600-84510	BUSH 80F-1010,FLANGE	4							
6	1	26106-080202	BOLT, M8X 20 PLATED	6							
7	1	1N3767-31000	LEVER,MAIN CLUTCH	1							
8	1	1N1600-83710	RIVET	2							
9	1	1N1629-17010	BALL BEARING	2							
10	1	1N3767-29010	SPRING L,RETURN	1							
11	1	1N3767-46000	PIN R COMPL.,LEVER	1							
12	1	26106-060122	BOLT, M6X 12 PLATED	3							
13	1	22137-100000	WASHER, 10	1							
14	1	22272-000080	RING, E- 8	1							
15	1	1N3767-29020	SPRING R,RETURN	1							
16	1	1N3767-45000	PIN A COMPL.,LEVER	1							
17	1	1N3767-49030	CAM B,SWITCH	1							
18	1	1N3347-39090	LINK 100, LEVER	1							
19	1	1N3767-39010	LEVER B,EMERG. STOP	1							
20	1	1N3767-36000	LEVER A,EMERG. STOP	1							
21	1	22417-250150	COTTER PIN 2.5X15	8							
22	1	1N3198-31000	SWITCH,CHUTE SWING	1							
23	1	22137-030000	WASHER, 3	4							
24	1	26557-030202	SCREW, M3X20	2							
25	1	22217-030000	WASHER, SPRING 3	2							
26	1	26717-030002	NUT, M3	2							
27	1	1N3767-84000	COVER D COMP., SWIT.	1							
28	1	26106-060122	BOLT, M6X 12 PLATED	3							
29	1	1N1600-84270	LINK 50	1							
30	1	1N3767-49040	ROD L,ADJUSTING	1							
31	1	1N1600-83070	NUT,SPECIAL,8MM	1							
32	1	1N3767-49050	ROD R,ADJUSTING	1							
33	1	26367-080002	NUT, M8	1							
34	1	22137-080000	WASHER, 8	2							
35	1	22417-250150	COTTER PIN 2.5X15	2							
36	1	1N3198-31000	SWITCH,CHUTE SWING	2							
37	1	22137-030000	WASHER, 3	8							
38	1	26557-030202	SCREW, M3X20	4							
39	1	22217-030000	WASHER, SPRING 3	4							
40	1	26717-030002	NUT, M3	4							
41	1	1N3497-81000	COVER CMP,A SWITCH	1							
42	1	1N3767-83000	COVER C COMP., SWIT.	1							
43	1	26106-060122	BOLT, M6X 12 PLATED	4							
44	1	1N3978-22000	STAY CMP,HARNESS	1							
45	1	26106-060162	BOLT, M6X 16 PLATED	4							
46	1	1N1600-84360	STRAP 1-5782,CABLE	4							
47	1	1N1600-81590	CLIP 1-19P7,CABLE	3							
48	1	7N3978-21000	PANEL, INDICATOR PL	1							
49	1	26106-060122	BOLT, M6X 12 PLATED	6							
50	1	1N3347-29010	RUBBER,15X30X5	2							
51	1	1N3768-29010	STAY,PANEL	2							

Remarks

*1.Engine parts.

Fig.14. PANEL & HANDLE



(A)=YSR3340A ,PQ

(B)=

(C)=

(D)=

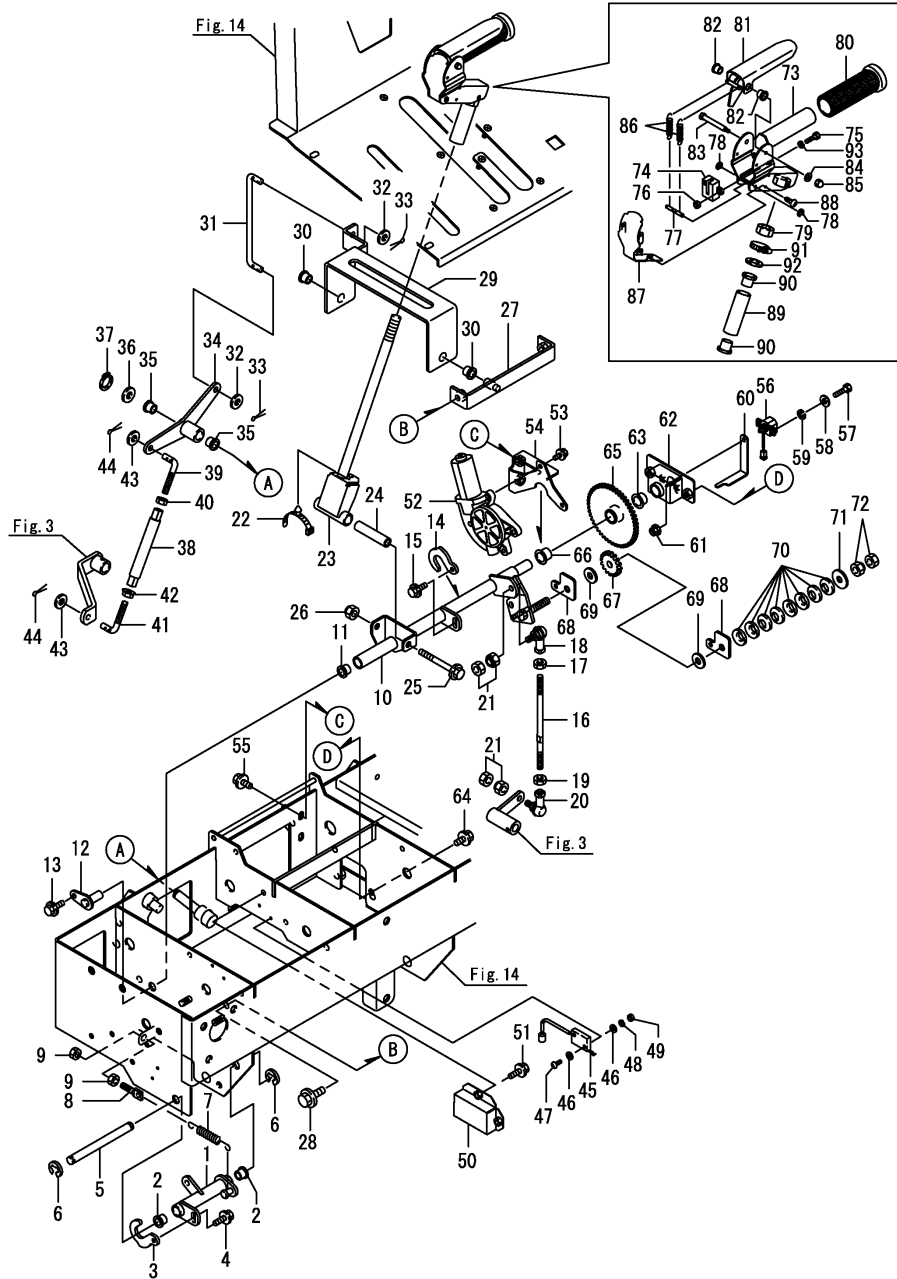
(E)=

(F)=

No.	Lev.	Parts No.	Description	Q'ty						I	R
				(A)	(B)	(C)	(D)	(E)	(F)		
52	1	26106-080162	BOLT, M8X 16 PLATED	2							
53	1	26367-080002	NUT, M8	2							
54	1	1N1600-81590	CLIP 1-19P7,CABLE	3							
55	1	1N3242-19050	RUBBER 50X50X3.0	1							
56	1	1N3347-29010	RUBBER,15X30X5	2							
57	1	1N1600-81590	CLIP 1-19P7,CABLE	1							
58	1	1N3734-89030	RUBBER 12X25	2							
59	1	1N3768-29040	SPONGE 15X100	2							
60	1	1N3970-39050	STOPPER	1							
61	1	26106-060122	BOLT, M6X 12 PLATED	1							
62	1	26367-060002	NUT, M6	1							
63	1	1N3764-29010	PAD,RUBBER 20X30	1							
64	1	1N3768-59010	RUBBER	1							

Remarks
*1.Engine parts.

Fig.15. CONTROL LEVER(1)



(A)=YSR3340A ,PQ

(B)=

(C)=

(D)=

(E)=

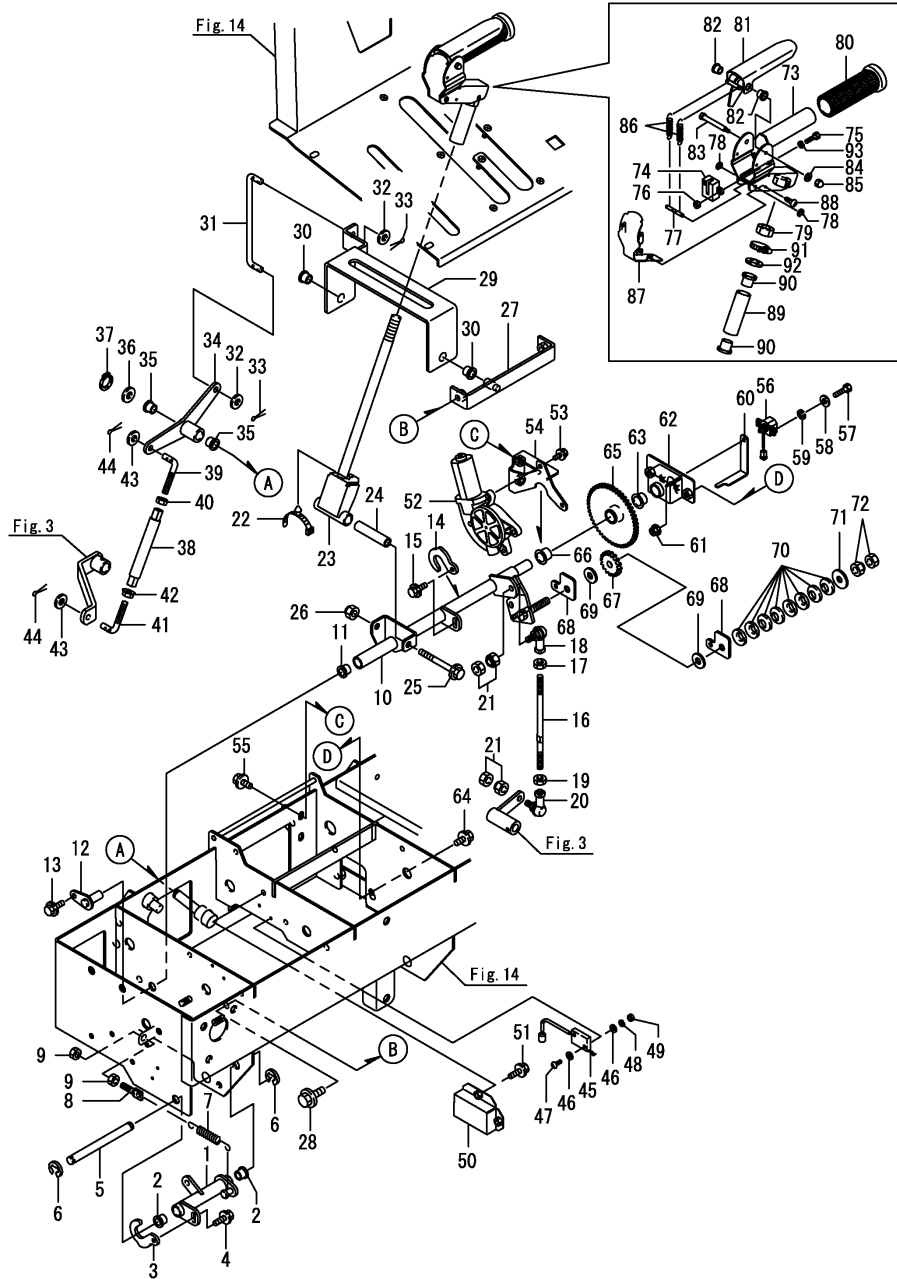
(F)=

No.	Lev.	Parts No.	Description	Q'ty						I	R
				(A)	(B)	(C)	(D)	(E)	(F)		
1	1	1N3767-41000	ARM COMP.,LEVER	1							
2	1	1N1600-79290	BUSH 80F-1210,FLANGE	2							
3	1	1N3767-49020	CAM A,SWITCH	1							
4	1	26106-060122	BOLT, M6X 12 PLATED	1							
5	1	1N3767-39020	PIN 12X130	1							
6	1	1N1600-85580	E-RING 9	2							
7	1	1N1600-83690	SPRING,COIL,10X118	1							
8	1	1N1600-84280	ROD,TENSION	1							
9	1	26717-080002	NUT, M8	2							
10	1	1N3967-51000	BOSS CMP,LEVER	1							
11	1	1N1600-79290	BUSH 80F-1210,FLANGE	1							
12	1	1N3347-45000	PIN CMP,LEVER,30	1							
13	1	26106-060122	BOLT, M6X 12 PLATED	1							
14	1	1N3767-49020	CAM A,SWITCH	1							
15	1	26106-060122	BOLT, M6X 12 PLATED	1							
16	1	1N1600-84260	ROD A,MAIN CHANGE	1							
17	1	26367-080002	NUT, M8	1							
18	1	1N1600-83640	BALL BL8D,LINK	1							
19	1	1N1600-83070	NUT,SPECIAL,8MM	1							
20	1	1N1600-83650	BALL BL8DL,LINK	1							
21	1	1N1600-78910	NUT M8,HARD LOCK	2							
22	1	1N1600-81590	CLIP 1-19P7,CABLE	1							
23	1	1N3767-57000	LEVER COMPL.,CHANGE	1							
24	1	1N1600-83610	COLLAR 9X63.5	1							
25	1	26106-080802	BOLT, M8X 80 PLATED	1							
26	1	1N1600-74790	U-NUT 8	1							
27	1	1N3767-23000	BRACKET,MAIN CHANGE	1							
28	1	26106-080162	BOLT, M8X 16 PLATED	2							
29	1	1N3767-56000	ARM ,CHANGE LEVER	1							
30	1	1N1600-79290	BUSH 80F-1210,FLANGE	2							
31	1	1N3767-59040	ROD B,SUB-CHANGE	1							
32	1	22137-080000	WASHER, 8	2							
33	1	22417-250150	COTTER PIN 2.5X15	2							
34	1	1N3977-54000	CAM CMP,SUB CHANGE	1							
35	1	1N1600-79290	BUSH 80F-1210,FLANGE	2							
36	1	22137-120000	WASHER, 12	1							
37	1	22242-000120	RING, 12	1							
38	1	1N3497-69040	RINK 125	1							
39	1	1N3227-59030	ROD B,SUB-CHANGE	1							
40	1	1N1600-83070	NUT,SPECIAL,8MM	1							
41	1	1N3167-59071	ROD 120	1							
42	1	26367-080002	NUT, M8	1							
43	1	22137-080000	WASHER, 8	2							
44	1	22417-250150	COTTER PIN 2.5X15	2							
45	1	1N3198-31000	SWITCH,CHUTE SWING	1							
46	1	22137-030000	WASHER, 3	4							
47	1	26557-030202	SCREW, M3X20	2							
48	1	22217-030000	WASHER, SPRING 3	2							
49	1	26717-030002	NUT, M3	2							
50	1	1N3767-82000	COVER B COMP., SWIT.	1							
51	1	26106-060122	BOLT, M6X 12 PLATED	2							

N:Old $\begin{matrix} \leftarrow \text{Yes} \\ \text{No} \end{matrix}$ New, Q:Old $\begin{matrix} \leftarrow \text{No} \\ \text{Yes} \end{matrix}$ New, R:Old $\begin{matrix} \leftarrow \text{Yes} \\ \text{No} \end{matrix}$ New, S:Old $\begin{matrix} \leftarrow \text{No} \\ \text{Yes} \end{matrix}$ New, W:Add, Z:Discontinued, F:Interchangeable by set, K:Q'ty Change

++ CONTINUE ++

Fig.15. CONTROL LEVER(1)



(A)=YSR3340A ,PQ

(B)=

(C)=

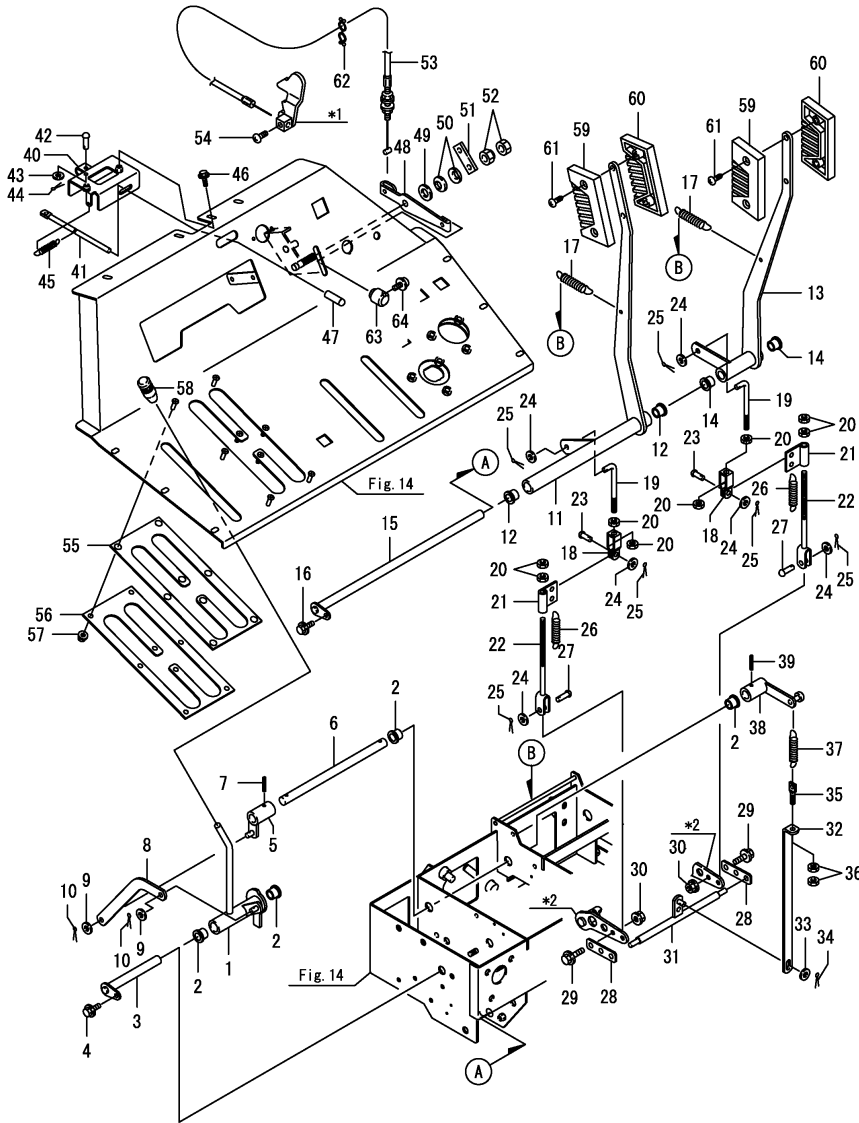
(D)=

(E)=

(F)=

No.	Lev.	Parts No.	Description	Q'ty						I	R
				(A)	(B)	(C)	(D)	(E)	(F)		
52	1	1N3738-11000	MOTOR JC578VA	1							
53	1	26106-060122	BOLT, M6X 12 PLATED	3							
54	1	1N3977-56000	BASE CMP,MOTOR	1							
55	1	26106-080162	BOLT, M8X 16 PLATED	2							
56	1	1N3978-31000	SENSOR,ANGLE	1							
57	1	26117-040162	BOLT, M4X 16 PLATED	2							
58	1	22217-040000	WASHER, SPRING 4	2							
59	1	22137-040000	WASHER, 4	2							
60	1	1N3977-59030	PLATE,SENSOR	1							
61	1	26367-060002	NUT, M6	1							
62	1	1N3977-52000	HOLDER CMP	1							
63	1	1N1600-83660	BUSHING 80F-1512	1							
64	1	26106-080162	BOLT, M8X 16 PLATED	2							
65	1	1N3977-57000	GEAR CMP,OFFSET	1							
66	1	1N1600-84530	BUSH 80F-1515,FLANGE	1							
67	1	1N3977-59050	GEAR,M2X18	1							
68	1	1N3977-59040	PLATE,THRUST	2							
69	1	1N3977-59060	PLATE,FRICTION	1							
70	1	1N1600-85810	SPRING, CONICAL	8							
71	1	22157-100000	WASHER, 10	1							
72	1	1N1600-78920	NUT M10,HARD LOCK	1							
73	1	1N3767-37000	GRIP COMP.,HST LEVER	1							
74	1	1N3768-33000	SWITCH,LEAD	1							
75	1	26117-050202	BOLT M 5X 20 PLATED	2							
76	1	26717-050002	NUT, M5	2							
77	1	1N3767-39040	HOLDER,SPRING	1							
78	1	22272-000030	RING, E- 3	2							
79	1	26607-140002	NUT M14	1							
80	1	1N3767-39050	GRIP 34,HANDLE	1							
81	1	1N3767-35000	LEVER COMP.,HST CLU.	1							
82	1	1N1600-84500	BUSH 80F-0606,FLANGE	2							
83	1	1N3767-39030	PIN,CLUTCH	1							
84	1	22137-040000	WASHER, 4	1							
85	1	1N1600-84600	NUT,CAP 4	1							
86	1	1N3767-29030	SPRING,CLUTCH	2							
87	1	1N3767-85000	COVER COMP.,CLUTCH	1							
88	1	1N1600-84310	SCREW M3X 6	4							
89	1	1N3767-59020	SUPPORT,PIPE	1							
90	1	1N1600-84520	BUSH 80F-1415,FLANGE	2							
91	1	1N1600-84380	BAND 15,UNIVERSAL	1							
92	1	22137-140000	WASHER, 14	1							
93	1	22217-050000	WASHER, SPRING 5	2							

Fig.16. CONTROL LEVER(2)



(A)=YSR3340A ,PQ

(B)=

(C)=

(D)=

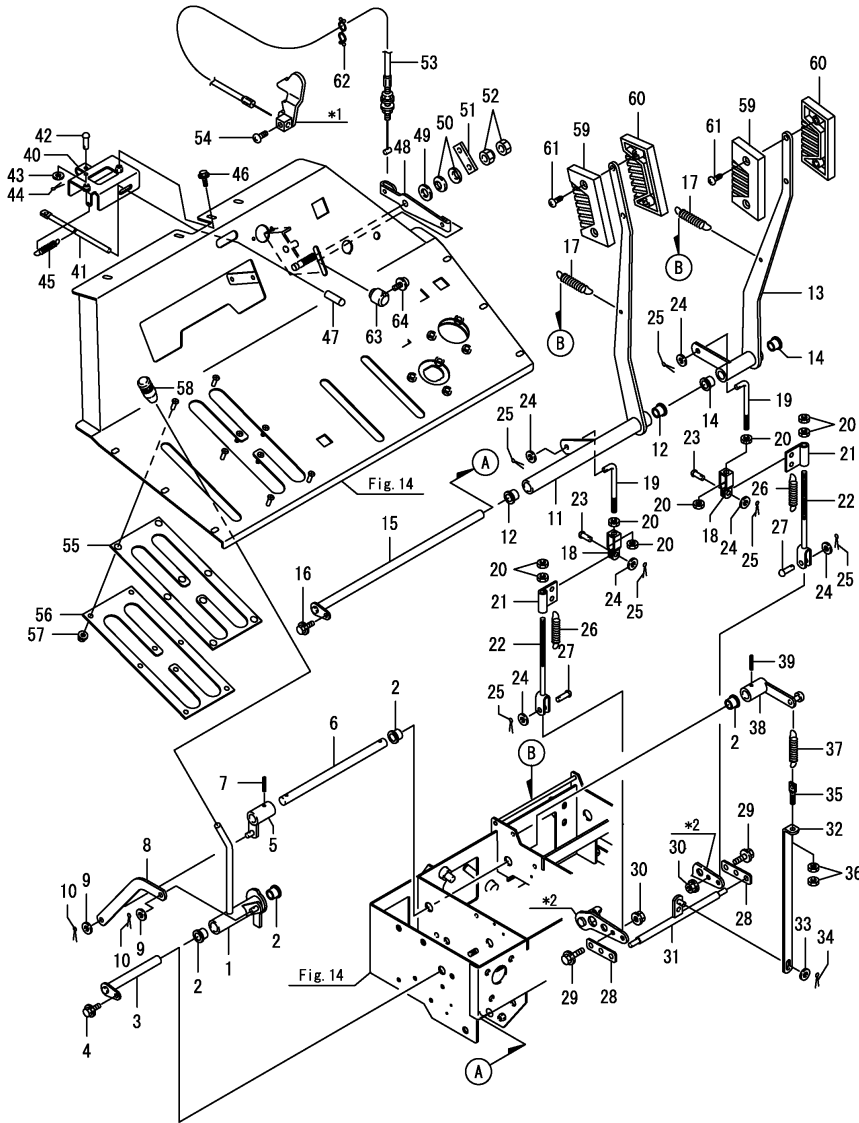
(E)=

(F)=

No.	Lev.	Parts No.	Description	Q'ty						I	R
				(A)	(B)	(C)	(D)	(E)	(F)		
1	1	1N3767-61000	LEVER COMP.,PARK.BR.	1							
2	1	1N1600-83660	BUSHING 80F-1512	4							
3	1	1N3767-62000	PIN 132 COMP.,LEVER	1							
4	1	26106-060122	BOLT, M6X 12 PLATED	1							
5	1	1N3767-64000	ARM B COMP.,COUNTER	1							
6	1	1N3767-69050	SHAFT,BRAKE COUNTER	1							
7	1	22351-050028	PIN, SPRING 5.0X28	1							
8	1	1N3767-69060	ARM,BRAKE LINK	1							
9	1	22137-080000	WASHER, 8	2							
10	1	22417-250150	COTTER PIN 2.5X15	2							
11	1	1N3767-32000	LEVER L CMP,SD.CLTCH	1							
12	1	1N1600-83660	BUSHING 80F-1512	2							
13	1	1N3977-33000	LEVER CMP,R SIDE	1							
14	1	1N1600-83660	BUSHING 80F-1512	2							
15	1	1N3767-34000	PIN 410 COMP.,LEVER	1							
16	1	26106-060122	BOLT, M6X 12 PLATED	1							
17	1	1N1599-16040	SPRING 16.5X125,COIL	2							
18	1	1N3077-39030	JOINT A	2							
19	1	1N1600-83980	ROD,C SUB CHANGE	2							
20	1	26717-080002	NUT, M8	8							
21	1	1N3747-39040	HOLDER,SIDE CLUTCH	2							
22	1	1N3737-66000	ROD COMP.,SD.CLTCH	2							
23	1	1N1600-79380	PIN 8X22,ROUND HEAD	2							
24	1	22137-080000	WASHER, 8	6							
25	1	22417-250150	COTTER PIN 2.5X15	6							
26	1	1N3229-16010	SPRING,SIDE CLUTCH	2							
27	1	1N1600-79550	PIN 8X25,ROUND HEAD	2							
28	1	1N3737-69030	PLATE,BRAKE ARM	2							
29	1	26106-080202	BOLT, M8X 20 PLATED	2							
30	1	26367-080002	NUT, M8	2							
31	1	1N3737-65000	PIN COMP.,BRAKE	1							
32	1	1N3767-69040	BAR,BRAKE LINK	1							
33	1	22137-080000	WASHER, 8	1							
34	1	22417-250150	COTTER PIN 2.5X15	1							
35	1	1N1600-84280	ROD,TENSION	1							
36	1	26717-080002	NUT, M8	2							
37	1	1N3229-16010	SPRING,SIDE CLUTCH	1							
38	1	1N3767-63000	ARM A COMP.,COUNTER	1							
39	1	22351-050028	PIN, SPRING 5.0X28	1							
40	1	1N3767-58000	HOLDER COMP.,BONNET	1							
41	1	1N3767-59010	LEVER,BONNET OPEN	1							
42	1	1N1600-84610	PIN 6X25,ROUND HEAD	1							
43	1	22137-060000	WASHER, 6	1							
44	1	22417-200120	COTTER PIN 2.0X12	1							
45	1	1N1600-73160	COIL SPRING 12.5X50	1							
46	1	26106-060162	BOLT, M6X 16 PLATED	2							
47	1	1N1600-84570	GRIP J8,LEVER	1							
48	1	1N3247-59050	THROTTLE LEVER	1							
49	1	22157-080000	WASHER, 8	1							
50	1	1N1600-77060	SPRING H8,BELLEVILLE	2							
51	1	1N3247-59060	PLATE, THRUST	1							

Remarks
*1.Engine parts.
*2.Mission parts.

Fig.16. CONTROL LEVER(2)



(A)=YSR3340A ,PQ

(B)=

(C)=

(D)=

(E)=

(F)=

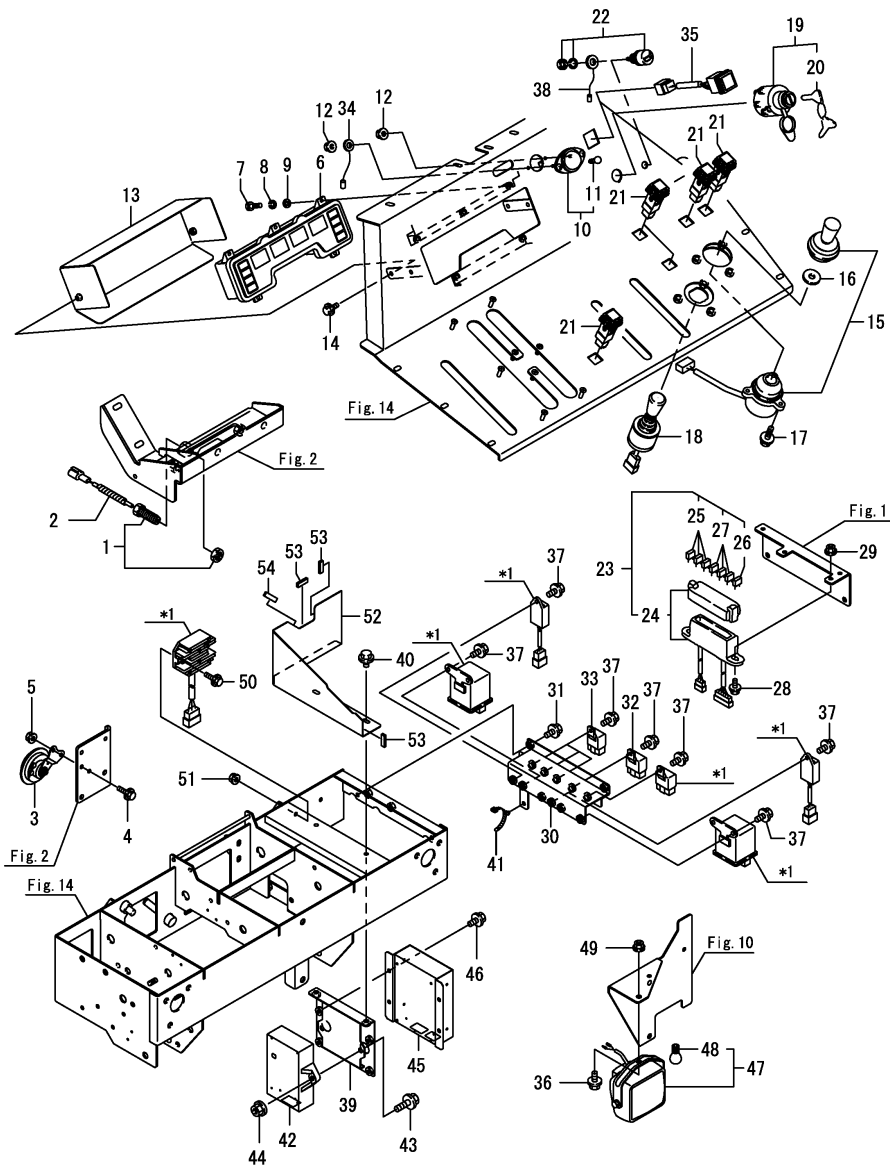
No.	Lev.	Parts No.	Description	Q'ty						I	R
				(A)	(B)	(C)	(D)	(E)	(F)		
52	1	1N1600-78910	NUT M8,HARD LOCK	1							
53	1	1N3737-72000	THROTTLE WIRE	1							
54	1	26022-040102	SCREW M 4X 10	1							
55	1	1N3977-59010	GUIDE,CHANGE LEVER	1							
56	1	1N3977-59020	CLAMP,LEVER GUIDE	1							
57	1	26367-060002	NUT, M6	8							
58	1	1N3077-69020	GRIP,CONT.LEVER RED	1							
59	1	1N3247-69030	GRIP A,CLUTCH LEVER	2							
60	1	1N3247-69040	GRIP B,CLUTCH LEVER	2							
61	1	1N3077-69060	SCREW M4X20	4							
62	1	1N1600-84370	LOCK, PURSE 2-0058	2							
63	1	1N3247-59070	KNOB,THROTTLE LEVER	1							
64	1	1N3247-59080	SCREW M4X8,SPECIAL	1							

Remarks

*1.Engine parts.

*2.Mission parts.

Fig.17. ELECTRICAL PARTS(1)



(A)=YSR3340A ,PQ

(B)=

(C)=

(D)=

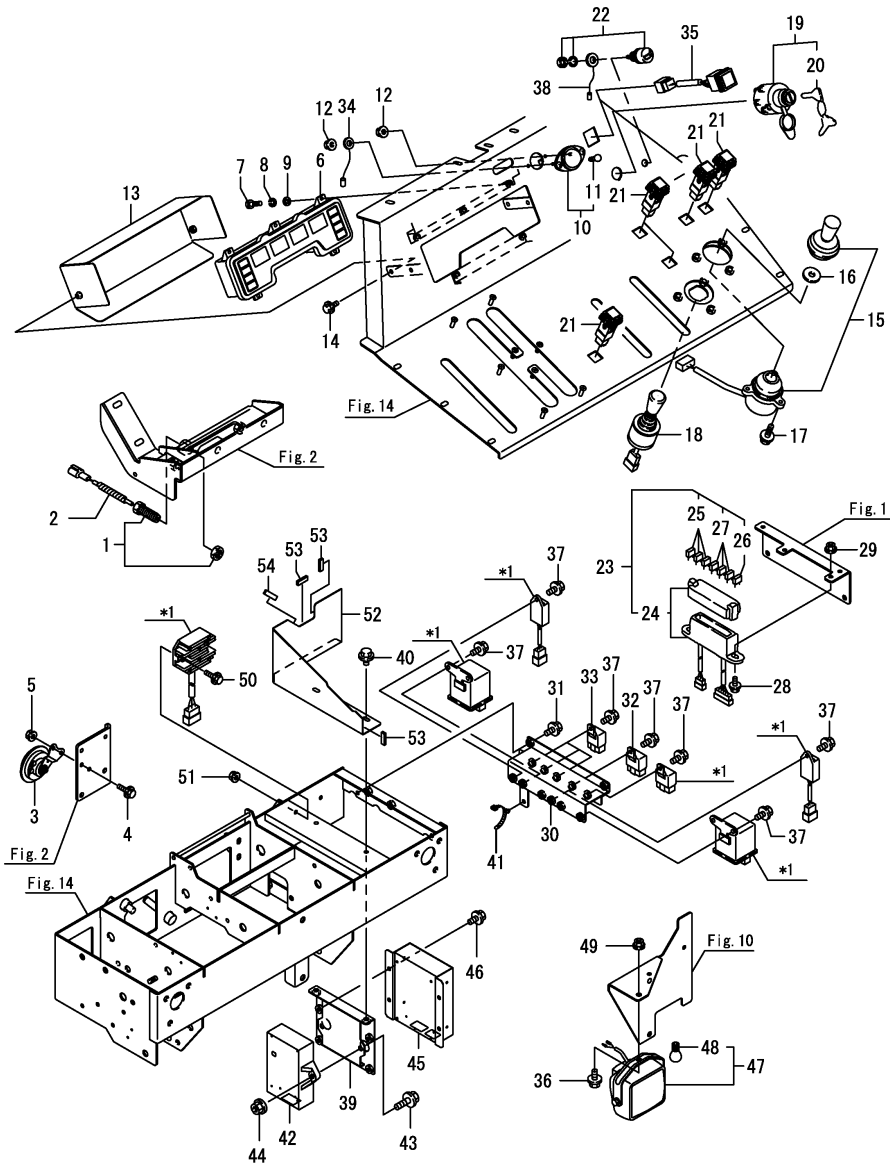
(E)=

(F)=

No.	Lev.	Parts No.	Description	Q'ty						I	R
				(A)	(B)	(C)	(D)	(E)	(F)		
1	1	1N3978-32000	SENSOR,PICKUP	1							
2	1	1N1600-85820	CORRUGATE 5X140	1							
3	1	1N3978-34000	BUZZER	1							
4	1	26106-060162	BOLT, M6X 16 PLATED	2							
5	1	26367-060002	NUT, M6	2							
6	1	1N3748-31000	COMBINATION METER	1							
7	1	26117-040162	BOLT, M4X 16 PLATED	5							
8	1	22217-040000	WASHER, SPRING 4	5							
9	1	22137-040000	WASHER, 4	5							
10	1	1N3158-31000	LIGHT,PANEL	1							
11	2	1N3158-31200	BULB 12V10W	1							
12	1	26367-040002	NUT, M4	2							
13	1	1N3978-81000	COVER CMP,METER	1							
14	1	26106-060122	BOLT, M6X 12 PLATED	2							
15	1	1N3248-32000	SWITCH	1							
16	1	1N1600-82760	WASHER,11X32X4.5	1							
17	1	26106-060202	BOLT, M6X 20 PLATED	3							
18	1	1N1600-85380	SWITCH, CROSS LEVER	1							
19	1	1N1868-31000	SWITCH,MAIN	1							
20	2	123482-91291	KEY	2							
21	1	1N1600-84580	SWITCH,LIGHT	5							
22	1	1N3978-33000	SWITCH,HORN	1							
23	1	1N3978-00010	BOX ASSY,FUSE	1							
24	2	1N3248-91000	BOX, FUSE	1							
25	2	1N1600-78580	FUSE 30A,BLADE	3							
26	2	1N1600-82660	FUSE 25A,BLADE	1							
27	2	1N1600-78570	FUSE 10A,BLADE	3							
28	1	26106-060162	BOLT, M6X 16 PLATED	2							
29	1	26367-060002	NUT, M6	2							
30	1	1N3978-23000	BRACKET CMP,RELAY	1							
31	1	26106-060122	BOLT, M6X 12 PLATED	2							
32	1	1N1600-82730	RELAY,C	1							
33	1	1N3248-45000	RELAY,NO.	3							
34	1	1N3248-73000	CORD, EARTH	1							
35	1	1N3748-32000	SWITCH,LIGHT	1							
36	1	26106-080162	BOLT, M8X 16 PLATED	1							
37	1	26106-060122	BOLT, M6X 12 PLATED	11							
38	1	1N3978-55000	EARTH,PANEL	1							
39	1	1N3978-24000	BRACKET CMP,ECU	1							
40	1	26106-060122	BOLT, M6X 12 PLATED	2							
41	1	1N1600-79020	STRAP 1-1W02,CABLE	1							
42	1	1N3978-42000	ECU,CHUTER	1							
43	1	26106-080252	BOLT, M8X 25 PLATED	2							
44	1	26367-080002	NUT, M8	2							
45	1	1N3978-41000	ECU	1							
46	1	26106-060122	BOLT, M6X 12 PLATED	4							
47	1	1N1600-83990	WORKING LAMP	1							
48	2	1N1600-83490	BULB,12V18W	1							
49	1	26367-080002	NUT, M8	1							
50	1	26106-060252	BOLT, M6X 25 PLATED	2							
51	1	26367-060002	NUT, M6	2							

Remarks
*1.Engine parts.

Fig.17. ELECTRICAL PARTS(1)



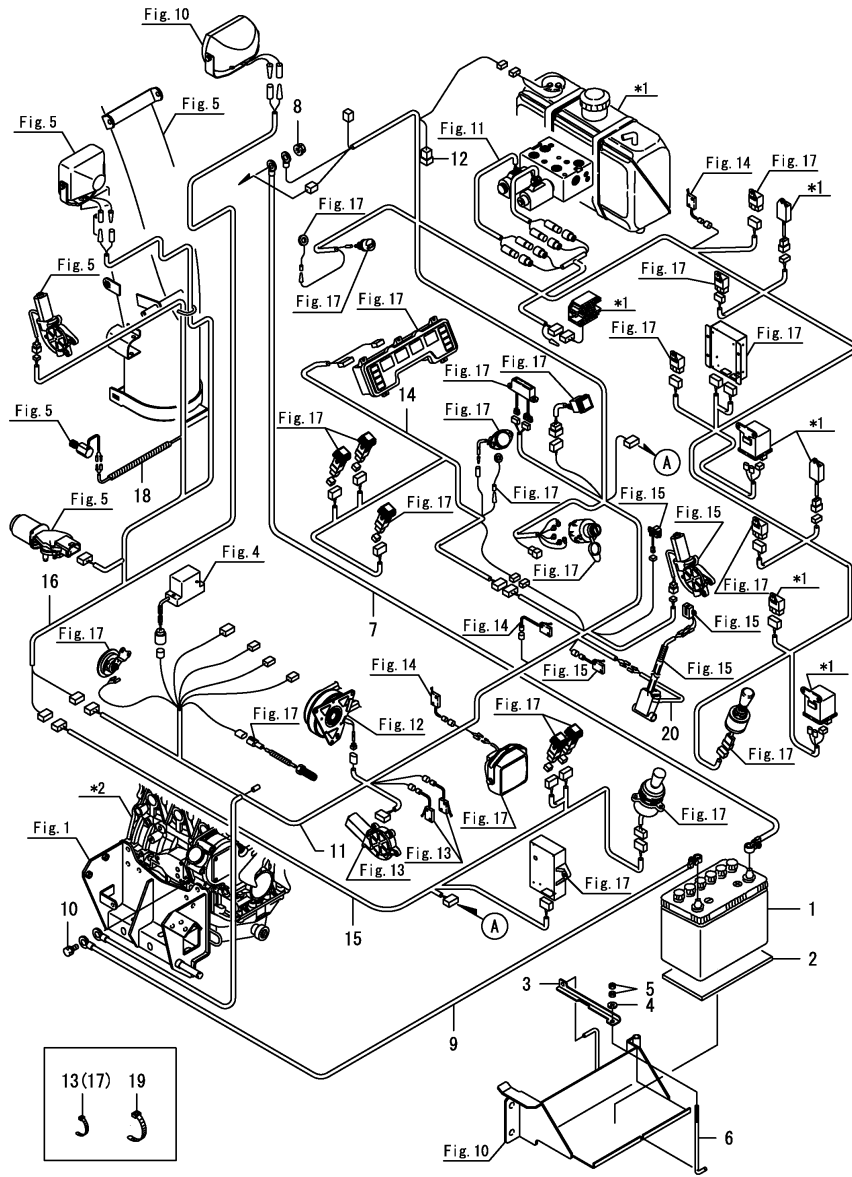
(A)=YSR3340A ,PQ
(B)=
(C)=

(D)=
(E)=
(F)=

No.	Lev.	Parts No.	Description	Q'ty						I	R
				(A)	(B)	(C)	(D)	(E)	(F)		
52	1	1N3978-89010	PROTECTOR,HEAT	1							
53	1	1N3978-89020	RUBBER,PROTECTER	3							
54	1	1N3978-89030	RUBBER,PROTECTER	1							

Remarks
*1.Engine parts.

Fig.18. ELECTRICAL PARTS(2)



(A)=YSR3340A ,PQ

(B)=

(C)=

(D)=

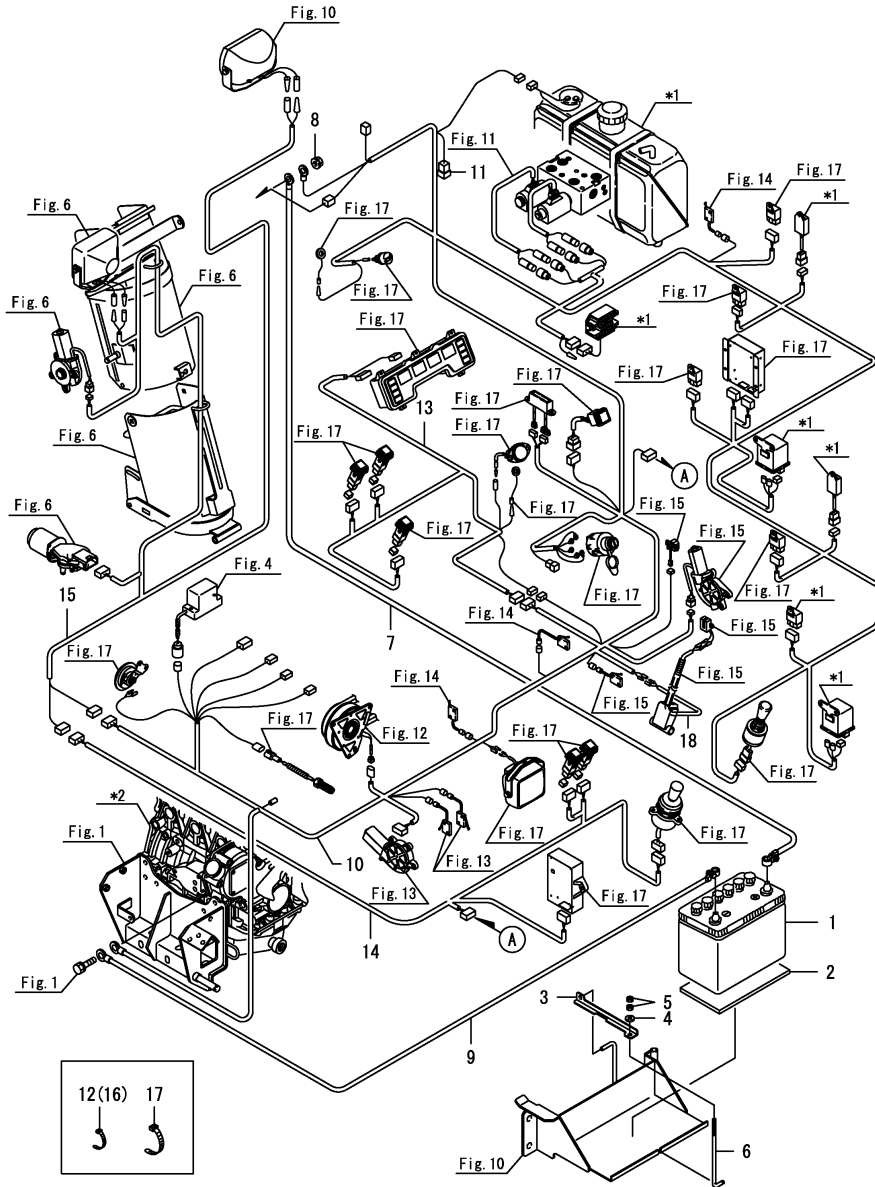
(E)=

(F)=

No.	Lev.	Parts No.	Description	Q'ty						I	R
				(A)	(B)	(C)	(D)	(E)	(F)		
1	1	7N1600-81610	BATTERY, 95D31L PL	1							
2	1	1N1678-99030	RUBBER,VIBR.INSULATR	1							
3	1	1N3768-69010	CLAMP,BATTERY	1							
4	1	22157-060000	WASHER, 6	1							
5	1	26717-060002	NUT, M6	2							
6	1	1N1600-85740	BOLT, BATTERY SET	1							
7	1	1N3768-71000	CORD,BATTERY POSITV.	1							
8	1	26367-080002	NUT, M8	1							
9	1	1N3768-72000	CORD,BATTERY NEGATV.	1							
10	1	26013-100202	BOLT, M10X 20	1							
11	1	1N3978-56000	HARNESS, MAIN	1							
12	1	1N1600-84180	SLOW BLOW FUSE 40A	1							
13	1	1N1600-77210	TIE RF140,REPEAT	5							
14	1	1N3978-52000	HARNESS,PANEL	1							
15	1	1N3978-53000	HARNESS,CHUTER	1							
16	1	1N3978-54000	HARNESS,CHUTER LIGHT	1							
17	1	1N1600-77210	TIE RF140,REPEAT	3							
18	1	1N1600-85750	CORRUGATE 5X70	1							
19	1	1N1600-74330	TIE RF250,REPEAT	2							
20	1	1N3768-56000	HARNESS,LEVER	1							

Remarks
 *1.Engine parts.
 *2.Engine.

Fig.19. ELECTRICAL PARTS



(A)=YSR3340A ,PQ

(B)=

(C)=

(D)=

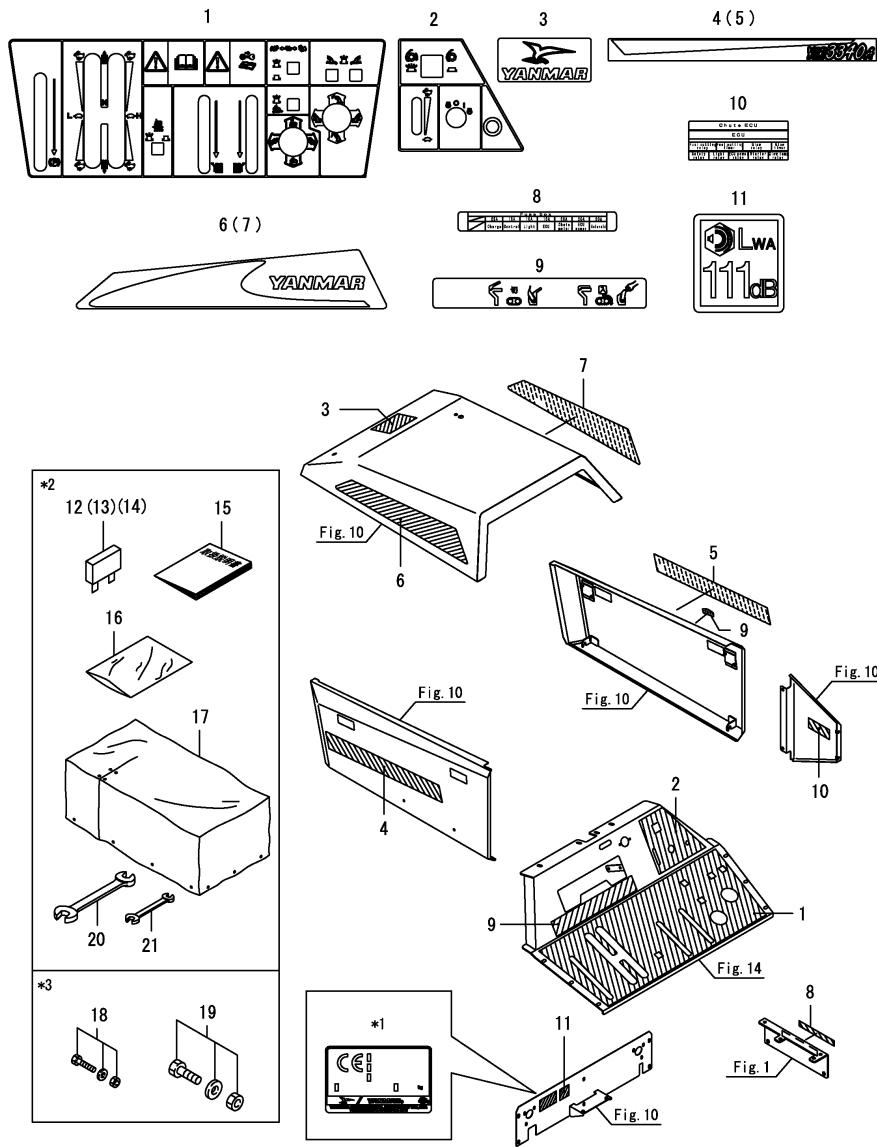
(E)=

(F)=

No.	Lev.	Parts No.	Description	Q'ty						I	R
				(A)	(B)	(C)	(D)	(E)	(F)		
1	1	7N1600-81610	BATTERY, 95D31L PL	1							
2	1	1N1678-99030	RUBBER,VIBR.INSULATR	1							
3	1	1N3768-69010	CLAMP,BATTERY	1							
4	1	22157-060000	WASHER, 6	1							
5	1	26717-060002	NUT, M6	2							
6	1	1N1600-85740	BOLT, BATTERY SET	1							
7	1	1N3768-71000	CORD,BATTERY POSITV.	1							
8	1	26367-080002	NUT, M8	1							
9	1	1N3768-72000	CORD,BATTERY NEGATV.	1							
10	1	1N3978-56000	HARNESS, MAIN	1							
11	1	1N1600-84180	SLOW BLOW FUSE 40A	1							
12	1	1N1600-77210	TIE RF140,REPEAT	5							
13	1	1N3978-52000	HARNESS,PANEL	1							
14	1	1N3978-53000	HARNESS,CHUTER	1							
15	1	1N3988-51000	HARNESS	1							
16	1	1N1600-77210	TIE RF140,REPEAT	3							
17	1	1N1600-74330	TIE RF250,REPEAT	2							
18	1	1N3768-56000	HARNESS,LEVER	1							

Remarks
 *1.Engine parts.
 *2.Engine.

Fig.20. LABELS & ACCESSORIES



(A)=YSR3340A ,PQ

(B)=

(C)=

(D)=

(E)=

(F)=

No.	Lev.	Parts No.	Description	Q'ty						I	R
				(A)	(B)	(C)	(D)	(E)	(F)		
1	1	1N3977-99210	MARK,PANEL	1							
2	1	1N3977-99220	MARK,INDICATOR PANEL	1							
3	1	1N3347-99310	MARK,BRAND	1							
4	1	1N3977-99130	LABEL, SIDE MARK	1							
5	1	1N3977-99140	LABEL, SIDE MARK	1							
6	1	1N3977-99150	MARK,L HOOD	1							
7	1	1N3977-99160	MARK,R HOOD	1							
8	1	1N3977-99260	MARK,FUSE	1							
9	1	1N3767-99240	MARK,TRAVEL CLUTCH	1							
10	1	1N3977-99250	MARK,RELAY	1							
11	1	1Q0170-91110	LABEL, 111DB	1							
12	1	1N1600-78570	FUSE 10A,BLADE	1							
13	1	1N1600-82660	FUSE 25A,BLADE	1							
14	1	1N1600-78580	FUSE 30A,BLADE	1							
15	1	1N3979-19010	OPERATION MANUAL	1							
16	1	1N1600-79340	BAG, VINYL	1							
17	1	1N3249-81000	COVER,OPRS SEAT	1							
18	1	1N3249-00010	BOLT 6X25	1							
19	1	1N3249-00020	BOLT ASSY,SHEAR	2							
20	1	1N3229-19050	WRENCH 17,COMBINATI.	1							
21	1	1N3769-19050	WRENCH 10,COMBINATI.	2							

Remarks
 *1.Label model. (Not sold.)
 *2.Accessory
 *3.Safety bolt spare parts.

Fig.21. LABELS (PL)

(A)=YSR3340A ,PQ

(B)=

(C)=

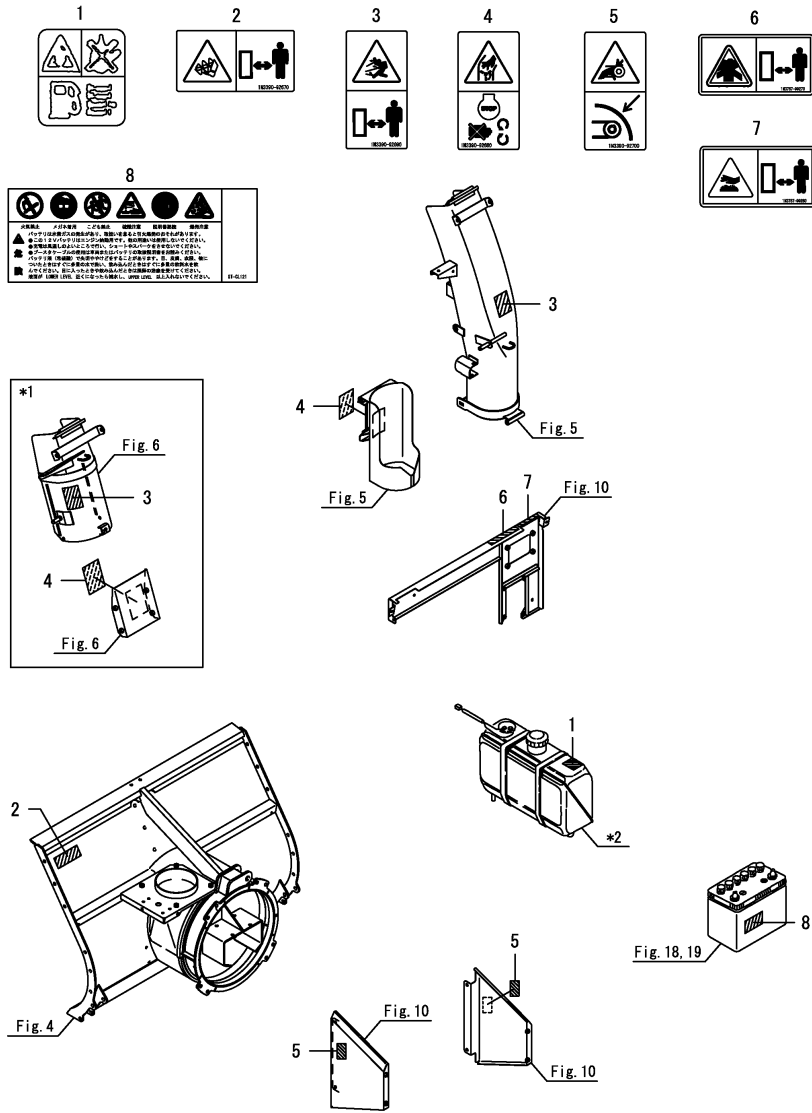
(D)=

(E)=

(F)=

No.	Lev.	Parts No.	Description	Q'ty						I	R
				(A)	(B)	(C)	(D)	(E)	(F)		

1	1	1A6150-91251	LABEL,RAKE CAUTION	1							
2	1	1N3390-92670	LABEL,DANGER	1							
3	1	1N3390-92690	LABEL,WARNING	1							
4	1	1N3390-92680	LABEL,WARNING	1							
5	1	1N3390-92700	LABEL,CAUTION	2							
6	1	1N3767-99270	WARNING,EXH.GAS	1							
7	1	1N3767-99280	CAUTION,MUFFLER	1							
8	1	1N1600-78390	LABEL,BATTERY DANGER	1							



Remarks
 *1.Slide chute specification.
 *2.Engine parts.

Parts No. Index

Parts No.	Fig. No.	Ref. No.
123482-91291	17	20
1A6150-91251	21	1
1N1599-16040	16	17
1N1600-71960	7	28
1N1600-72000	7	30
		51
	8	16
1N1600-72040	7	9
1N1600-72080	9	11
		22
1N1600-72130	7	18
1N1600-72180	12	58
1N1600-72230	13	38
1N1600-72790	9	10
		21
1N1600-73160	16	45
1N1600-73590	7	23
		34
		41
		54
	12	17
		26
1N1600-74140	10	25
1N1600-74330	1	51
	2	51
	10	66
	11	33
		38
		42
	18	19
	19	17
1N1600-74340	11	2
1N1600-74380	11	7
1N1600-74650	8	8
1N1600-74660	11	12
1N1600-74670	11	4
1N1600-74790	12	68
	15	26
1N1600-74890	8	20
1N1600-75020	11	3
		11
1N1600-75120	10	100
1N1600-75140	1	32
1N1600-75150	4	6
	5	18
	6	17
	9	25
		38
1N1600-75830	4	11
1N1600-77060	16	50

Parts No.	Fig. No.	Ref. No.
1N1600-77080	3	44
		50
1N1600-77210	2	50
		54
	5	25
	6	29
	11	18
		30
		41
	12	48
	18	13
		17
	19	12
		16
1N1600-77310	1	1
	11	27
		36
1N1600-77590	11	15
1N1600-77650	7	24
1N1600-77730	7	48
1N1600-78390	21	8
1N1600-78570	17	27
	20	12
1N1600-78580	17	25
	20	14
1N1600-78790	3	51
1N1600-78830	8	4
1N1600-78870	3	71
1N1600-78880	3	72
1N1600-78890	7	2
1N1600-78910	15	21
	16	52
1N1600-78920	7	60
	15	72
1N1600-78940	3	21
		29
1N1600-78970	12	35
		44
	13	28
1N1600-78980	9	28
		41
1N1600-78990	12	13
1N1600-79020	10	5
		83
	17	41
1N1600-79030	10	98
1N1600-79050	1	20
1N1600-79080	11	23
1N1600-79090	11	32
1N1600-79100	11	24

Parts No.	Fig. No.	Ref. No.
1N1600-79250	13	5
1N1600-79290	5	58
	6	63
	15	2
		11
		30
		35
1N1600-79340	20	16
1N1600-79380	13	39
	16	23
1N1600-79400	8	15
1N1600-79480	10	72
1N1600-79550	16	27
1N1600-79560	2	20
1N1600-79590	1	6
1N1600-79700	12	15
1N1600-80570	12	16
1N1600-80590	2	33
1N1600-81430	5	55
	6	60
1N1600-81440	5	22
		65
		66
	6	70
	10	26
1N1600-81490	5	6
		54
	6	6
		58
1N1600-81550	11	31
1N1600-81590	1	42
		52
	2	52
		56
	6	22
	10	3
		13
		16
		63
		80
		103
	11	43
	13	36
	14	47
		54
		57
	15	22
1N1600-81860	12	62
1N1600-81890	1	49
1N1600-82660	17	26

Parts No.	Fig. No.	Ref. No.
1N1600-82660	20	13
1N1600-82730	17	32
1N1600-82760	17	16
1N1600-82910	12	25
1N1600-82930	4	9
1N1600-82990	10	28
1N1600-83070	14	31
	15	19
		40
1N1600-83240	12	60
1N1600-83250	3	19
		27
1N1600-83310	12	63
1N1600-83490	5	24
	6	24
	17	48
1N1600-83610	15	24
1N1600-83640	15	18
1N1600-83650	15	20
1N1600-83660	15	63
	16	2
		12
		14
1N1600-83690	15	7
1N1600-83710	14	8
1N1600-83980	16	19
1N1600-83990	5	23
	6	23
	17	47
1N1600-84080	11	46
1N1600-84140	12	23
1N1600-84150	4	4
	5	28
	6	32
1N1600-84180	18	12
	19	11
1N1600-84220	12	61
1N1600-84240	8	13
1N1600-84250	8	18
1N1600-84260	15	16
1N1600-84270	14	29
1N1600-84280	15	8
	16	35
1N1600-84290	12	41
1N1600-84310	15	88
1N1600-84330	3	23
		31
1N1600-84350	5	37
	6	38
1N1600-84360	14	46

Parts No. Index

Parts No.	Fig. No.	Ref. No.
1N1600-84370	16	62
1N1600-84380	15	91
1N1600-84400	5	46
	6	34
		48
	10	27
1N1600-84410	11	29
1N1600-84420	11	28
1N1600-84430	1	3
1N1600-84440	11	34
1N1600-84460	11	25
1N1600-84470	1	2
1N1600-84490	12	30
		39
1N1600-84500	15	82
1N1600-84510	14	5
1N1600-84520	15	90
1N1600-84530	12	51
		55
	15	66
1N1600-84550	13	27
1N1600-84570	16	47
1N1600-84580	17	21
1N1600-84590	10	87
1N1600-84600	15	85
1N1600-84610	16	42
1N1600-84780	12	5
1N1600-84910	2	35
1N1600-85380	17	18
1N1600-85470	1	54
1N1600-85480	1	58
1N1600-85490	1	30
	2	22
		34
1N1600-85510	2	21
1N1600-85540	1	29
1N1600-85560	5	16
	6	16
	7	5
1N1600-85570	5	49
	6	68
1N1600-85580	5	64
	6	66
	15	6
1N1600-85590	8	3
1N1600-85600	9	3
		14
1N1600-85610	9	24
		37
1N1600-85630	11	47

Parts No.	Fig. No.	Ref. No.
1N1600-85640	12	29
		38
1N1600-85680	2	24
1N1600-85700	2	32
1N1600-85710	10	20
		44
		53
1N1600-85740	18	6
	19	6
1N1600-85750	18	18
1N1600-85800	3	62
1N1600-85810	15	70
1N1600-85820	17	2
1N1600-85830	2	53
1N1600-85850	11	37
1N1600-85870	13	4
1N1600-85880	5	26
	6	30
1N1600-85890	6	28
1N1600-86320	4	22
1N1600-90140	4	41
1N1610-70020	7	39
1N1610-70030	7	20
1N1610-70040	7	53
1N1610-70070	7	44
1N1610-70100	7	8
1N1610-70110	7	15
1N1610-70210	7	3
1N1610-70220	7	4
1N1619-16010	12	34
		43
1N1629-17010	14	9
1N1633-19041	7	21
1N1633-19130	7	57
1N1633-29070	7	12
1N1633-29080	7	13
1N1633-29090	7	19
1N1633-59010	8	2
		6
	9	2
		5
		13
		16
1N1633-59030	9	31
		44
1N1636-59010	12	32
1N1673-16000	7	26
1N1673-19010	4	7
1N1673-19080	7	31
1N1673-19090	7	32

Parts No.	Fig. No.	Ref. No.
1N1673-19110	7	7
1N1673-51001	9	1
1N1675-19010	1	12
1N1678-99030	18	2
	19	2
1N1679-19110	7	14
1N1682-39010	3	75
1N1683-13000	4	12
1N1689-14010	4	13
1N1689-14020	4	17
1N1689-19010	7	36
1N1689-19020	7	35
1N1710-71072	10	48
1N1763-19060	7	42
1N1763-29050	7	49
1N1763-29070	7	10
1N1803-99020	10	49
1N1808-31000	5	31
1N1853-49010	7	16
1N1863-19010	7	58
1N1868-31000	17	19
1N1886-79020	1	9
1N3068-12000	5	30
1N3073-69010	8	12
1N3074-19030	3	2
1N3077-39030	16	18
1N3077-69020	16	58
1N3077-69060	16	61
1N3102-15001	3	60
1N3102-49020	3	35
1N3102-61000	3	52
1N3103-61000	8	1
1N3103-62000	8	5
1N3158-31000	17	10
1N3158-31200	17	11
1N3163-39040	5	48
	6	50
1N3167-59071	15	41
1N3198-31000	13	30
	14	22
		36
	15	45
1N3227-54000	3	12
1N3227-59030	15	39
1N3229-16010	16	26
		37
1N3229-19050	20	20
1N3240-29060	1	26
1N3242-11001	3	16
1N3242-14001	3	42

Parts No.	Fig. No.	Ref. No.
1N3242-15000	3	20
		28
1N3242-19050	2	55
	3	17
	11	48
	14	55
1N3242-39010	3	63
1N3242-49011	3	43
1N3242-49020	3	48
1N3242-49030	3	53
1N3242-61000	3	47
		66
1N3242-69010	3	34
1N3243-14000	4	36
1N3243-19020	4	37
	10	31
1N3243-19030	4	38
1N3243-29010	7	47
1N3243-49010	7	27
1N3243-51000	9	27
		40
1N3244-00010	10	33
1N3245-19010	11	21
1N3246-39020	12	14
1N3246-64000	13	1
1N3246-69010	13	7
1N3247-59050	16	48
1N3247-59060	16	51
1N3247-59070	16	63
1N3247-59080	16	64
1N3247-59130	3	11
		15
1N3247-69030	16	59
1N3247-69040	16	60
1N3248-32000	17	15
1N3248-45000	17	33
1N3248-73000	17	34
1N3248-91000	17	24
1N3249-00010	20	18
1N3249-00020	20	19
1N3249-16020	10	9
		46
		55
1N3249-16030	10	35
1N3249-81000	20	17
1N3347-29010	14	50
		56
1N3347-39090	14	18
1N3347-45000	15	12
1N3347-99310	20	3

Parts No. Index

Parts No.	Fig. No.	Ref. No.
1N3390-92670	21	2
1N3390-92680	21	4
1N3390-92690	21	3
1N3390-92700	21	5
1N3490-29020	12	3
1N3490-31000	1	37
1N3490-32000	1	38
1N3496-49020	12	18
1N3496-71000	12	19
1N3497-69040	15	38
1N3497-81000	14	41
1N3730-39060	1	50
1N3733-33000	5	35
1N3733-34000	5	36
1N3733-36000	5	41
1N3733-39020	5	40
1N3733-39040	5	44
	6	46
1N3734-29010	10	90
1N3734-89030	10	99
	14	58
1N3736-65000	13	23
1N3736-66000	13	26
1N3736-69020	13	18
1N3736-69030	13	19
1N3736-89010	13	40
1N3737-65000	16	31
1N3737-66000	16	22
1N3737-69030	16	28
1N3737-72000	16	53
1N3738-11000	5	53
	6	57
	13	24
	15	52
1N3740-29030	2	28
1N3740-29060	1	34
1N3740-85000	1	59
1N3740-89020	1	60
1N3740-89030	1	64
1N3741-69010	12	7
1N3742-12000	3	18
1N3742-13000	3	26
1N3742-14000	3	39
1N3742-19010	3	61
1N3742-19020	3	64
1N3742-69010	3	22
		30
1N3743-12000	7	1
1N3743-14000	4	30
1N3743-19010	4	24

Parts No.	Fig. No.	Ref. No.
1N3743-19020	4	27
1N3743-19040	4	31
1N3743-19050	4	16
1N3743-19060	4	18
1N3743-19070	4	3
1N3745-19010	11	22
1N3745-19020	1	11
1N3745-21000	11	19
1N3745-22000	11	44
1N3745-22100	11	44 A
1N3745-22200	11	44 B
1N3745-22300	11	44 C
1N3745-22910	11	44 D
1N3745-22920	11	44 E
1N3745-22930	11	44 F
1N3745-22940	11	44 G
1N3745-22950	11	44 H
1N3745-22960	11	44 J
1N3745-71000	11	35
1N3746-39010	8	19
1N3746-39020	12	6
1N3746-51000	12	50
1N3746-56000	12	64
1N3746-59010	12	56
1N3746-61000	13	3
1N3746-62000	12	28
1N3746-63000	12	37
1N3746-69011	12	59
1N3747-39040	16	21
1N3748-31000	17	6
1N3748-32000	17	35
1N3760-21000	1	13
1N3760-22000	1	21
1N3760-24000	2	7
1N3760-26000	2	13
1N3760-27000	1	4
1N3760-28000	1	25
1N3760-29010	12	1
1N3760-29030	2	5
1N3760-29040	2	25
1N3760-34000	1	44
1N3760-35000	1	40
1N3760-36000	1	31
		35
1N3760-37000	2	46
1N3760-39030	2	37
1N3760-39050	1	46
1N3760-39070	2	44
1N3760-39080	1	17
	2	49

Parts No.	Fig. No.	Ref. No.
1N3760-81000	2	58
1N3761-19010	2	38
1N3762-19010	3	70
1N3762-49010	3	68
1N3763-19010	7	55
1N3763-19020	7	56
1N3763-39020	5	56
	6	61
1N3763-39030	5	57
	6	62
1N3763-39040	6	52
1N3763-52000	9	12
1N3763-53000	9	23
1N3763-54000	9	36
1N3764-11000	3	1
1N3764-14000	10	71
1N3764-21000	10	106
1N3764-29010	14	63
1N3764-98000	10	81
1N3765-00010	11	1
1N3765-00020	11	10
1N3765-11000	11	39
1N3765-71000	11	26
1N3766-11000	12	10
1N3766-19010	12	46
1N3766-49010	12	12
1N3766-51000	12	54
1N3766-53000	13	10
1N3766-58000	13	43
1N3767-23000	15	27
1N3767-24000	14	4
1N3767-29010	14	10
1N3767-29020	14	15
1N3767-29030	15	86
1N3767-31000	14	7
1N3767-32000	16	11
1N3767-34000	16	15
1N3767-35000	15	81
1N3767-36000	14	20
1N3767-37000	15	73
1N3767-39010	14	19
1N3767-39020	15	5
1N3767-39030	15	83
1N3767-39040	15	77
1N3767-39050	15	80
1N3767-41000	15	1
1N3767-45000	14	16
1N3767-46000	14	11
1N3767-49020	15	3
	14	14

Parts No.	Fig. No.	Ref. No.
1N3767-49030	14	17
1N3767-49040	14	30
1N3767-49050	14	32
1N3767-53000	3	8
1N3767-56000	15	29
1N3767-57000	15	23
1N3767-58000	16	40
1N3767-59010	16	41
1N3767-59020	15	89
1N3767-59040	15	31
1N3767-61000	16	1
1N3767-62000	16	3
1N3767-63000	16	38
1N3767-64000	16	5
1N3767-68000	10	30
1N3767-69040	16	32
1N3767-69050	16	6
1N3767-69060	16	8
1N3767-71000	13	37
1N3767-82000	15	50
1N3767-83000	14	42
1N3767-84000	14	27
1N3767-85000	15	87
1N3767-99240	20	9
1N3767-99270	21	6
1N3767-99280	21	7
1N3768-11000	5	3
	6	3
1N3768-29010	14	51
1N3768-29040	14	59
1N3768-33000	15	74
1N3768-56000	18	20
	19	18
1N3768-59010	14	64
1N3768-69010	18	3
	19	3
1N3768-71000	18	7
	19	7
1N3768-72000	18	9
	19	9
1N3769-19050	20	21
1N3773-34000	6	36
1N3773-39050	6	35
1N3884-88000	10	45
		54
1N3967-51000	15	10
1N3970-23000	2	29
1N3970-25000	2	1
1N3970-32000	2	15
1N3970-33000	2	17

Parts No. Index

Parts No.	Fig. No.	Ref. No.
1N3970-39010	1	55
1N3970-39020	1	41
1N3970-39040	2	41
1N3970-39050	14	60
1N3970-89040	1	66
1N3973-13000	5	1
	6	1
1N3973-22000	4	20
1N3973-32000	5	10
	6	10
1N3973-33000	5	12
1N3973-34000	5	13
1N3973-35000	5	39
1N3973-37000	5	47
1N3973-39030	5	11
	6	11
1N3973-39050	5	4
	6	4
1N3973-39060	5	14
	6	14
1N3973-39070	5	17
	6	18
1N3973-39080	5	42
1N3973-42000	5	50
1N3973-55000	9	4
		15
1N3973-81000	5	51
1N3973-89010	5	8
	6	8
1N3973-89050	5	52
1N3974-12000	10	61
1N3974-13000	10	64
1N3974-21000	10	89
1N3974-22000	10	88
1N3974-29010	10	101
1N3974-71000	10	11
1N3974-72000	10	14
1N3974-81000	10	24
1N3974-82000	10	57
1N3974-83000	10	59
1N3974-84000	10	1
1N3974-85000	10	67
1N3974-86000	10	69
1N3974-87000	10	92
1N3974-88000	10	94
1N3974-89050	10	76
1N3974-89060	10	78
1N3974-89070	10	96
1N3974-92000	10	7
1N3974-93000	10	43

Parts No.	Fig. No.	Ref. No.
1N3974-94000	10	52
1N3974-95000	10	8
1N3974-97000	10	84
1N3974-99010	10	39
1N3974-99020	10	40
1N3976-59010	13	20
1N3977-22000	14	1
1N3977-33000	16	13
1N3977-52000	15	62
1N3977-54000	15	34
1N3977-56000	15	54
1N3977-57000	15	65
1N3977-59010	16	55
1N3977-59020	16	56
1N3977-59030	15	60
1N3977-59040	15	68
1N3977-59050	15	67
1N3977-59060	15	69
1N3977-99130	20	4
1N3977-99140	20	5
1N3977-99150	20	6
1N3977-99160	20	7
1N3977-99210	20	1
1N3977-99220	20	2
1N3977-99250	20	10
1N3977-99260	20	8
1N3978-00010	17	23
1N3978-22000	14	44
1N3978-23000	17	30
1N3978-24000	17	39
1N3978-29010	1	53
1N3978-29020	10	102
1N3978-31000	15	56
1N3978-32000	17	1
1N3978-33000	17	22
1N3978-34000	17	3
1N3978-37000	4	23
1N3978-41000	17	45
1N3978-42000	17	42
1N3978-52000	18	14
	19	13
1N3978-53000	18	15
	19	14
1N3978-54000	18	16
1N3978-55000	17	38
1N3978-56000	18	11
	19	10
1N3978-81000	17	13
1N3978-89010	17	52
1N3978-89020	17	53

Parts No.	Fig. No.	Ref. No.
1N3978-89030	17	54
1N3979-19010	20	15
1N3983-31000	6	19
1N3983-35000	6	37
1N3983-36000	6	40
1N3983-37000	6	49
1N3983-38000	6	41
1N3983-39010	6	42
		44
1N3983-41000	6	43
1N3983-42000	6	51
1N3983-43000	6	12
1N3983-44000	6	13
1N3983-81000	6	54
1N3983-82000	6	55
1N3988-51000	19	15
1Q0170-91110	20	11
22137-030000	13	31
	14	23
		37
	15	46
22137-040000	15	59
		84
	17	9
22137-060000	4	5
	9	26
		39
	16	43
22137-080000	5	61
	6	67
	10	38
	14	34
	15	32
		43
	16	9
		24
		33
22137-100000	14	13
22137-120000	1	15
		23
		27
	5	63
	6	65
	12	67
	13	11
	15	36
22137-140000	15	92
22137-160000	3	57
	12	57
22137-200000	11	5

Parts No.	Fig. No.	Ref. No.
22137-200000	11	8
		13
		16
	13	14
22157-060000	1	61
	10	36
	18	4
	19	4
22157-080000	2	2
		11
	4	34
	6	27
	10	86
	12	20
	13	16
	16	49
22157-100000	2	57
	10	75
	12	52
		65
	13	21
	15	71
22217-030000	13	33
	14	25
		39
	15	48
22217-040000	15	58
	17	8
22217-050000	15	93
22217-060000	9	33
		46
22217-080000	1	48
22217-100000	8	9
	9	6
		17
22217-120000	3	45
22217-160000	3	24
		32
		40
		58
		73
22242-000120	11	44 K
	13	13
	15	37
22242-000150	12	36
		45
	13	29
22242-000200	3	69
	12	31
		40

Parts No. Index

Parts No.	Fig. No.	Ref. No.
22242-000200	13	15
22242-000250	13	9
22242-000280	7	50
22252-000300	9	29
		42
22252-000450	7	43
22252-000470	3	37
		55
22252-000520	7	52
22252-000620	13	8
22252-000720	8	17
22272-000030	15	78
22272-000070	10	41
22272-000080	14	14
22351-030025	3	10
22351-035025	3	14
22351-050025	3	9
22351-050028	16	7
		39
22351-060016	7	40
22351-060025	3	13
	9	30
		43
22351-100045	9	9
		20
22372-120000	10	73
22417-200120	5	38
	6	39
	16	44
22417-250150	5	62
	6	64
	10	34
	13	42
	14	21
		35
	15	33
		44
	16	10
		25
		34
22417-250200	4	14
22417-400320	11	6
		9
		14
		17
22551-070200	12	24
24101-060054	3	36
		54
	7	46
24101-062054	7	11

Parts No.	Fig. No.	Ref. No.
24101-062054	7	29
24101-062074	7	17
24104-060044	3	49
		67
24104-062014	13	12
24104-062054	12	11
24104-063054	13	6
24104-063064	8	14
24311-000200	1	8
24421-254008	7	33
		45
24421-254708	3	38
		56
24421-355511	7	22
26013-080122	9	32
		45
26013-100202	1	14
		22
	18	10
26013-100252	2	30
	8	22
26013-100302	4	21
	12	4
26013-120252	1	57
	2	4
26013-120302	1	16
		24
		28
	3	3
	12	2
		27
26022-040102	16	54
26106-060122	2	18
	5	60
	6	56
	10	6
		91
		97
	13	41
	14	12
		28
		43
		49
		61
	15	4
		13
		15
		51
		53
	16	4

Parts No.	Fig. No.	Ref. No.
26106-060122	16	16
	17	14
		31
		37
		40
		46
26106-060162	1	39
	2	23
	5	7
		59
	6	7
		53
		59
	10	37
	12	9
	13	25
	14	45
	16	46
	17	4
		28
26106-060202	17	17
26106-060252	1	10
		62
	17	50
26106-080122	2	59
	5	32
26106-080162	1	43
		45
		63
		65
		67
	2	6
		8
		16
		45
	4	32
	5	2
		9
		67
	6	2
		9
		71
	10	2
		12
		15
		18
		22
		32
		42
		58

Parts No.	Fig. No.	Ref. No.
26106-080162	10	60
		68
		70
		77
		79
		82
		85
		93
		95
		104
		108
	13	35
	14	2
		52
	15	28
		55
		64
	17	36
26106-080202	1	5
		18
		47
	2	3
		12
		26
		31
		39
		42
	3	6
	4	8
		35
	6	25
	14	6
	16	29
26106-080252	2	9
		47
	13	17
	17	43
26106-080302	1	33
		36
26106-080702	2	19
26106-080802	11	20
	15	25
26116-080162	1	56
	10	50
26116-080554	12	21
26116-100402	7	59
26117-040162	15	57
	17	7
26117-050202	15	75
26117-060254	9	34

Parts No. Index

Parts No.	Fig. No.	Ref. No.
26117-060254	9	47
26117-100162	7	25
26117-100654	7	38
26136-100202	4	19
	8	21
	10	29
	12	53
		66
	13	22
	14	3
26136-100252	4	25
		28
	10	62
		65
		74
	12	47
	13	2
26136-100302	5	19
	6	69
26136-100502	3	4
26136-120162	1	7
26136-120202	11	40
		45
26136-120452	4	39
26207-100304	8	10
	9	7
		18
26367-040002	17	12
26367-060002	2	27
	10	10
		47
		56
	14	62
	15	61
	16	57
	17	5
		29
		51
26367-080002	1	19
	2	10
		14
		36
		40
		43
		48
	3	7
	4	2
		10
		33
	5	5

Parts No.	Fig. No.	Ref. No.
26367-080002	5	29
		34
		43
		45
	6	5
		26
		33
		45
		47
	10	19
		23
		51
		105
		107
	12	22
	14	33
		53
	15	17
		42
	16	30
	17	44
		49
	18	8
	19	8
26377-100002	3	5
	4	26
		29
	5	15
		27
	6	15
		31
	7	6
	12	8
		49
26377-120002	4	40
26557-030202	13	32
	14	24
		38
	15	47
26607-140002	15	79
26707-100002	8	11
	9	8
		19
26717-030002	13	34
	14	26
		40
	15	49
26717-050002	15	76
26717-060002	9	35
		48

Parts No.	Fig. No.	Ref. No.
26717-060002	18	5
	19	5
26717-080002	12	33
		42
	15	9
	16	20
		36
26717-100002	7	37
	8	7
26717-120002	3	46
		65
26717-160002	3	25
		33
		41
		59
		74
	4	15
26737-120002	5	33
7N1600-81610	18	1
	19	1
7N1600-83860	5	21
7N3973-11000	4	1
7N3973-31000	5	20
7N3974-89030	10	17
7N3974-89040	10	21
7N3974-91000	10	4
7N3978-21000	14	48
7N3983-32000	6	20
7N3983-33000	6	21

Parts No.	Fig. No.	Ref. No.
-----------	----------	----------